

OceanLink Pressure Gauges

Description

The OceanLink 52mm gauges are connected directly to any OceanLink Master unit using the patented EasyLink serial bus connection. Up to 20 EasyLink gauges for each Master can be daisy-chained together. OceanLink Gauges have white and black dial version, which is always completed with bezel in identical colour. Optional Chrome bezel is available as decorative accessory.

Boost Pressure



A2C1066140001



A2C1066160001



A2C1066150001



A2C1066170001

Engine Oil Pressure



A2C1066000001



A2C1066020001



A2C1066010001



A2C1066030001

Transmission Oil Pressure



A2C106604001



A2C106606001



A2C106605001



A2C1066070001

Available Gauges:

Gauge PN	Gauge Type	Colour	Measurement range	Diameter (mm)
A2C1066140001	Boost Pressure	Black	2bar / 30psi	52
A2C1066150001	Boost Pressure	White	2bar / 30psi	52
A2C1066160001	Boost Pressure	Black	Low / High	52
A2C1066170001	Boost Pressure	White	Low / High	52
A2C1066000001	Engine Oil Pressure	Black	10bar/ 150psi	52
A2C1066010001	Engine Oil Pressure	Black	10bar/ 150psi	52
A2C1066020001	Engine Oil Pressure	White	Low / High	52
A2C1066030001	Engine Oil Pressure	Black	Low / High	52
A2C1066040001	Transmission Oil Pressure	White	30bar / 440psi	52
A2C1066050001	Transmission Oil Pressure	White	30bar / 440psi	52
A2C1066060001	Transmission Oil Pressure	Black	Low / High	52
A2C1066070001	Transmission Oil Pressure	White	Low / High	52

Features

- AMP Superseal EasyLink connector
- < 100 mA
- Illumination: pointer red, dial white
- 240° pointer deflection angle
- Reverse polarity protection
- Plastic double lens anti-fog
- 52 mm Installation Diameter
- Operating temperature range -20 °C / +70 °C
- Storage temperature range -30 °C / +85 °C

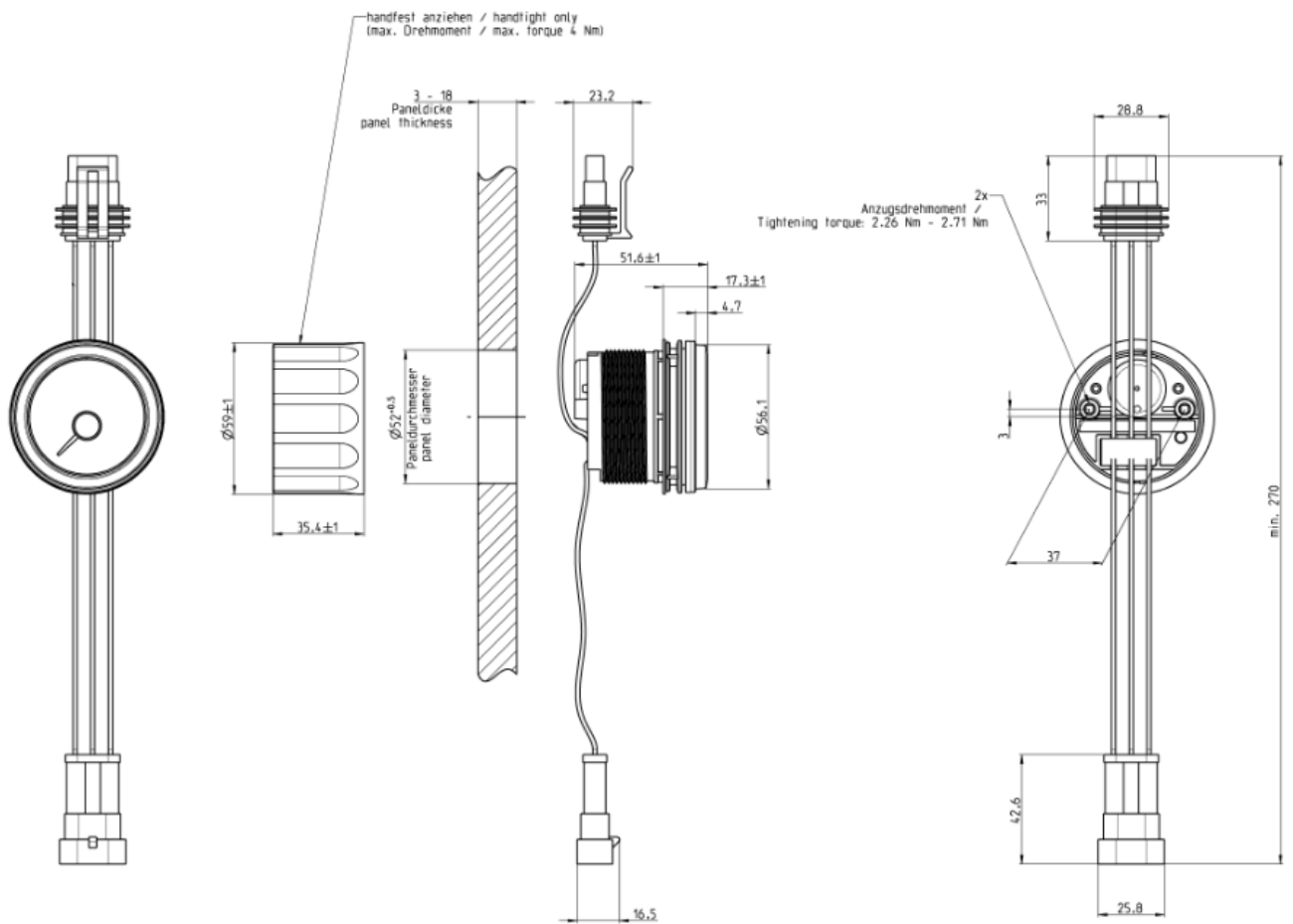
Technical Data	
Housing	Material: PBT- FR Bezel: Black, White
Dimensions	Installation Diameter: 52mm
Operating Voltage	9.0 -32 VDC
Current Consumption	<100mA
Operating Temperature	-20°C to +70°C
Storage Temperature	-30°C to +85°C
Nominal Position	NL 0 to NL 85; According to DIN 16257
Mounting/Fixing	Top or flush mount
Protection Class	IEC60945 exposed equipment Front: IPX5 extended Rear:IPX5
Flammability	UL94-V0
EMC	I DIN-EN 61000-6-2:2006 IEC 60945:2002/ISO7637-2
Reverse Polarity Protection	Yes
Short Circuit Protection	Yes, 1 minute
Approval	CE and RoHS

Connectors

AMP Superseal 3 Pol

Pin	Signal
1	EasyLink – Power
2	EasyLink – Data
3	EasyLink – GND

Mechanical Design



Accessories

Part Number	Item specifics
A2C1141440001	Round black bezel 52mm
A2C5336487001	Round chrome bezel, 52mm
A2C1352110001	Round white bezel, 52mm
A2C1650700001	EasyLink extension cable
A2C5205947101	Union Nut 52mm