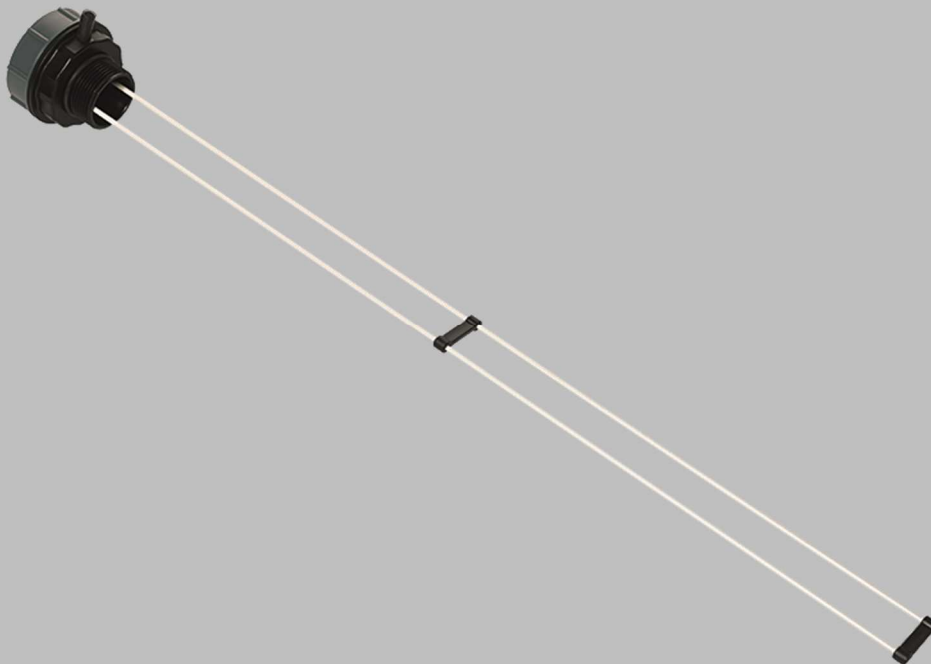


PRODUCT BASIC INFORMATION

# NMEA 2000 LIQUID LEVEL SENSOR

HIGH PRECISION FOR YOUR SAFETY



# CAPACITIVE SENSORS

## KEY FEATURES

- ▶ NMEA 2000® certified
- ▶ 200 - 1500mm adjustable dip
- ▶ Selectable Liquid Type through dip switches
- ▶ Tank instancing via embedded dip switches
- ▶ User friendly calibration process
- ▶ Status LED for fast troubleshooting

The NMEA 2000® Liquid Level Sensor provides you with fresh or waste water level data which you can display on every NMEA 2000® compatible display.

The sensor comes in three variants, which differ in the range of the adjustable length. Therefore, this type of sensor is suitable for tanks with heights of 200mm up to 1500mm.



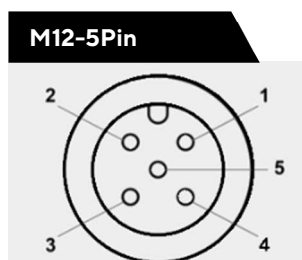
## TECHNICAL DATA

<b>Fluids</b>	Fresh water / Waste water
<b>Tank depth</b>	200-600 mm (B00041201) 600-1200 mm (B00041401) 1200-1500 mm (B00041501)
<b>Installation</b>	Thread G 1¼" (Threaded flange and gasket included)
<b>Operating Temperature</b>	-25°C to +70°C
<b>Operating Voltage</b>	12V (NMEA 2000)
<b>NMEA LEN</b>	2
<b>Protection Class</b>	IP X9K
<b>Data Output</b>	Digital - NMEA 2000
<b>Housing</b>	Plastic (seawater resistant)

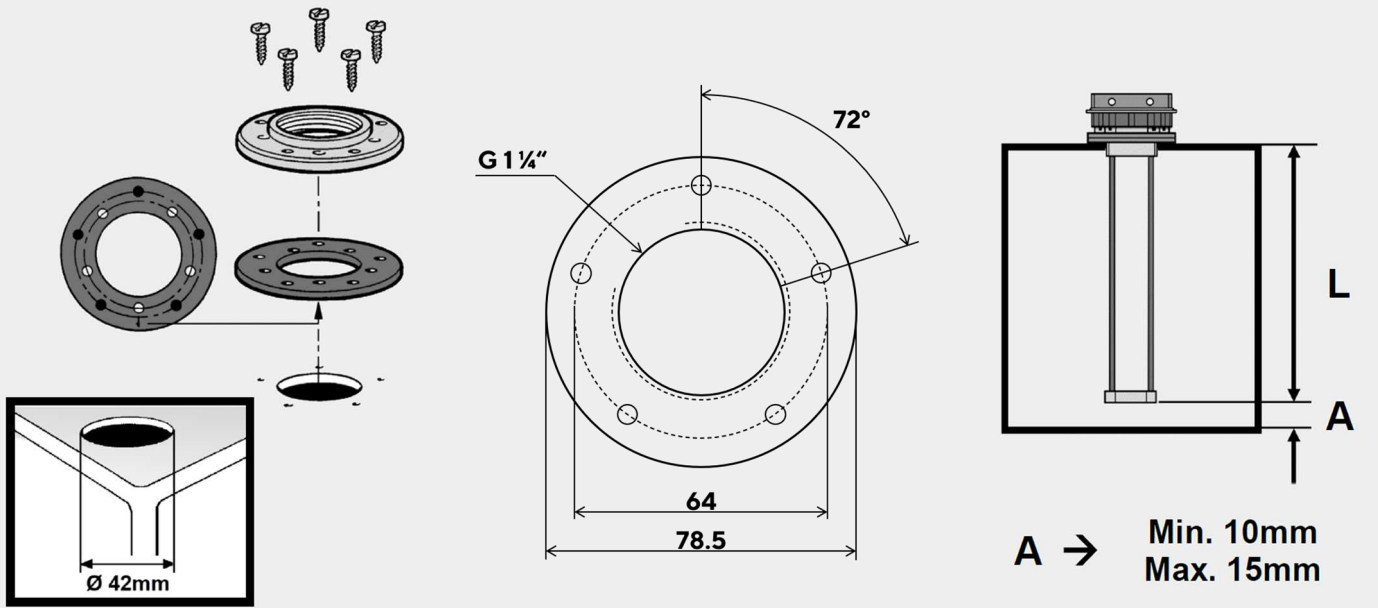


## Connector

Pin	Signal
1	Shield
2	Power (12V)
3	Ground
4	CAN High
5	CAN Low



## INSTALLATION



## PACKAGING CONTENT

### Description

NMEA 2000® Liquid Level Sensor

Sealing Kit

Installation and Safety manual

## ACCESSORIES

### Description

Sealing Kit

NMEA 2000 power cable

NMEA 2000 T-splitter

NMEA 2000 drop cable - 0.5m

NMEA 2000 drop cable - 2m

NMEA 2000 drop cable - 6m

NMEA 2000 terminator - Male

NMEA 2000 terminator - Female

### Part Number

N05-016-930

A2C3931290001

A2C3931270002

A2C9624370001

A2C9624380001

A2C9624400001

A2C3931100001

A2C3931060001

## NMEA 2000 PGNs

Fluid Level

127505

---

## **OUTDOOR INSTRUMENTATION ENGINEERED IN SWITZERLAND**

**Veratron AG** / Industriestrasse 18 / 9464 Rüthi / Switzerland  
T +41 71 7679 111 / [info@veratron.com](mailto:info@veratron.com) / [veratron.com](http://veratron.com)

The information provided in this brochure contains only general descriptions or performance characteristics, which do not always apply as described in case of actual use or which may change as a result of further development of the products. This information is merely a technical description of the product. It is not meant or intended to be a special guarantee for a particular quality or particular durability. An obligation to provide the respective characteristics shall only exist if expressly agreed in the terms of contract. We reserve the right to make changes in availability as well as technical changes without prior notice.  
Veratron AG / English © 2023