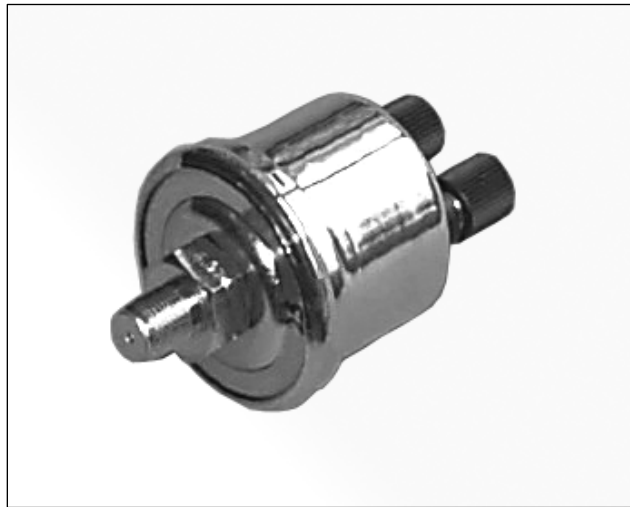


Engine & Chassis Sensors

Electromechanical Pressure Sensors (EMPS)



Application

Pressure measurement of gaseous and liquid media.

General description

The VDO pressure sensor is based on the following electromechanical principle:

The applied pressure acts against a radially elastic diaphragm.

A lifter transfers the deflection of the diaphragm to a movable carrier plate. This carrier plate contains screws for gain and offset calibration and holds the electrical wiper contact. The position of the wiper on a resistance wire coil directly depends on the applied pressure and leads to a corresponding electrical output signal.

The protection cap includes an electrical socket and the customer specific connector.

The pressure sensor is distinguished by the following features:

- Media: Engine oil, air
- Modular assembly
- Pressure ranges: 0 ... 2 bar up to 0 ... 25 bar, gauge
- Output signal: 10 Ohm ... 184 Ohm
- Electrical switch (pressure warning) optional
- Customized pressure ports and electrical connectors

Technical data

| | |
|---|---|
| Operating pressure | 0 ... 2bar, 0...3 bar, 0... 5 bar, 0... 10 bar, 0... 16 bar, 25 bar gauge |
| Max. Proof pressure (2 sec.) | Version 10 bar: 30 bar Version 16 bar: 40 bar Version 25 bar: 50 bar |
| Operating temperature | -25°C ... + 100°C (+120°C, 1 h) |
| Storage temperature | -30°C ... + 100°C (+120°C, 1 h) |
| Vibration*: Pressure port M12x1.5 Pressure port M14x1.5 Pressure port M18x1.5 | 5g 5g Frequency: 10 ... 500 Hz, 48 h per axis 15g Frequency: 60 ... 2000 Hz: 96 h per axis 10 ... 60 Hz: 1mm amplitude |
| * Test in each 3 axes according DIN IEC68-2-6 | |
| Pressure cycles (Fig. 2) | > 500.000 (operating pressure ≤ 10 bar) > 200.000 (operating pressure > 10 bar) |
| Degree of protection | IP 64 A |
| Supply voltage | 6 Volt ... 24 Volt |
| Min. supply current | 20 mA |
| Max. power dissipation | 250 mW |
| Output characteristic (Fig. 1) | 10 ... 184 Ohm |
| Characteristic curve temperature dependency | < 0.04 bar (per 10 K) relating to ambient temperature |
| Warning contact (optional) | 8% to 50% at full scale |
| Tolerance switch point: | ± 3% at full scale |
| Switching load (non-inductive) | ≤ 5 Watt |

Output characteristic (10 bar Sensor)

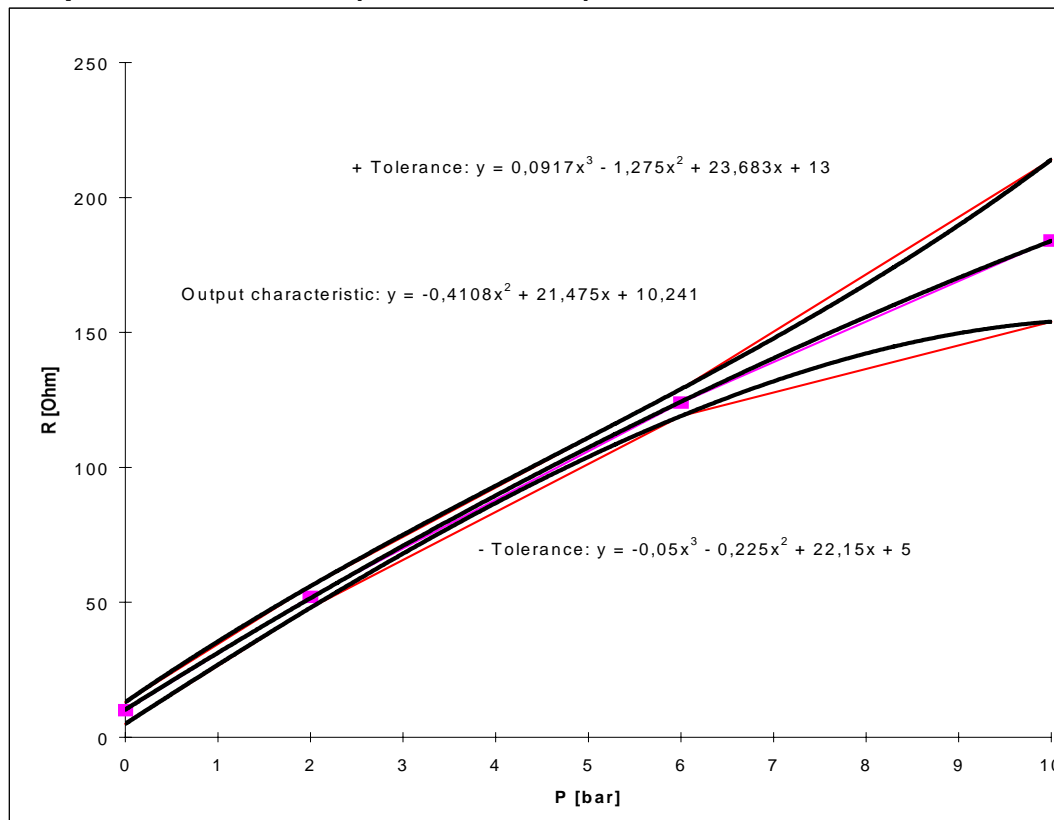
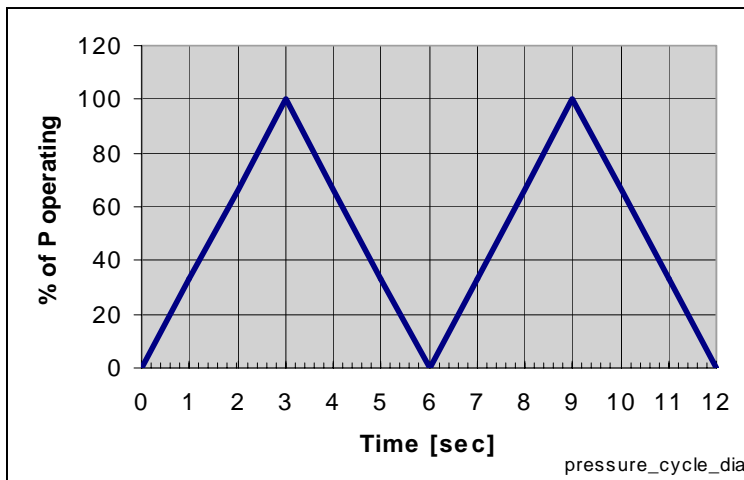


Fig. 1: Output characteristic

Pressure cycles diagram



Test conditions:

- Temperature + 100 °C
- Electrical load, test-current min. 20 mA.
- Warning contact with maximum switching load

Fig. 2: Pressure cycles diagram

Important mounting recommendations:

The pressure sensor should be mounted in locations which meet the parameters defined in section technical data. The sensor itself can be installed in any orientation (port facing up or down).

To avoid damage of internal components the sensor design and mounting position should be chosen according to the following principles:

- **Locations with strong pressure pulsation**
Close to an oil pump (filter flange) strong oil pressure pulsation is often present. In this case, vibration of the wiper can damage the resistance wire. If no location without strong pulsation is available, a damping element (low-pass-filter) should be used.
- **Locations with high vibration levels**
The allowed vibration levels are defined in section technical data. Please note the differences based on the specific mounting thread used!
Strong vibrations at certain positions on an engine can be avoided by mounting the sensor on the vehicle chassis. The connection to the sensor can be made using a flexible tube.
Important note: Threads with less than M12 should not be used due to reduced vibration performance!
- **High pressure steam-jet**
In order to avoid penetrating water or humidity, the sensor may not directly exposed to a high pressure steam-jet.
- **Locations near components with high temperature radiation**
Mounting the component close to or above components with high temperatures, e.g. near the turbocharger or exhaust gas system, may exceed the temperature limit of the pressure sensor.
To avoid high temperature influences, select a mounting position with good air cooling conditions and low radiative heating effects.

Customer Drawing 360-081-030-030, 10 bar version

Messbereich: 0-10 bar Überdruck
Measuring Range: 0-10 bar

0 bar Überdruck 10 ±3/-5 Ohm
2 bar Überdruck 52 ± 4 Ohm
4 bar Überdruck 88 ± 4 Ohm
6 bar Überdruck 124 ± 5 Ohm

Überdrucksicherheit: 30 bar (kurzzeitig, 2 sek.)
Pressure in Excess of Atmospheric Pressure: 30 bar (for max. 2 sec.)

Nennspannung: 6 - 24 V
Nominal Voltage: 6 - 24 V

Warnpunkt: 0,7 ± 0,15 bar (schließt bei fallendem Druck) Überdruck
Warning Contact: 0,7 ± 0,15 bar (closing at dropping pressure)

Schaltleistung des Warnkontaktes: max. 5 W induktionsfrei
Load switching point: max. 5 W non inductive

Widerstand: Verlustleistung < 250 mW; Mess-Strom > 20 mA
Resistance: Power dissipation < 250 mW; Test current > 20 mA

Betriebstemperatur: - 25°C ... + 100°C (bis 120°Cmax. 1h) am Anschlussgewinde
Operating temperature: - 25°C ... + 100°C (to 120°Cmax. 1h) at Connecting thread

Lagertemperatur: - 30°C ... + 100°C (bis 120°Cmax. 1h)
Storage temperature: - 30°C ... + 100°C (to 120°Cmax. 1h)

Zulässiges Anzugsmoment für Rändelmutter M4 am Anschlussgewinde max. 1 Nm
Max. tightening torque of nut M4 at the connecting thread: 1 Nm

Der Geber ist nur mittels des Sechskants SW 19 festzuschrauben.
Pressure Sensor to be tightened with wrench on Hex. 19 only

Beim Einbau mit Cu-Dichtung zulässiges Anzugsmoment max. 60 Nm
At the installation with Cu seal allowed tightening torque max. 60 Nm

ANSCHLUSSGEWINDE M4
CONNECTING THREAD M4

GEHÄUSE VERZINKT
HOUSING ZINC PLATED

Schlüsselweite 19
Hexagon width 19

Rille DIN 3852 Form A
Narrow channel DIN 3852

Ø7,6±0,2
M14 x 1,5

max. 82,5
max. 40
20,5
12
0,9±0,2

beilüftet über PTFE-Filter
Ventilated by PTFE filter

Schaltbild
Circuit diagram

Kennzeichnung (Schlüsselfläche)
Messbereich, Typennr.,
Herstelldatum (Monat, Jahr),
Warnpunkt

Marking (Hexagon key area)
Measuring range, Type no.,
Manufacturing date (Month,
year), Warning contact

| | | | | | | | | | | | | | | | | | | | | |
|---|---|---|---|---|---|---|---|---|----|----|----|----|----|----|----|----|----|----|----|--|
| 1 | 2 | 3 | 4 | 5 | 6 | 7 | 8 | 9 | 10 | 11 | 12 | 13 | 14 | 15 | 16 | 17 | 18 | 19 | 20 | |
| | | | | | | | | | | | | | | | | | | | | |

| | | | |
|--|--|-------------------------------|--|
| K 360.081/030 /030 | | Drucksensor / Pressure sensor | |
| Zustellung: K 360.081/030 /030 | | 0-10 | |
| Erstellt am: K 360.081/030/030 (11.11.19.75) | | 1:1 | |