



Description

MediaBox is an audio unit. It allows you listen to radio and weather forecasts with its built-in AM/FM tuner and enjoying your favourite music on memory stick or MP3 player connected via USB port or Smartphone connected via Bluetooth. MediaBox can be controlled by a VDO app that can be downloaded freely.

Features

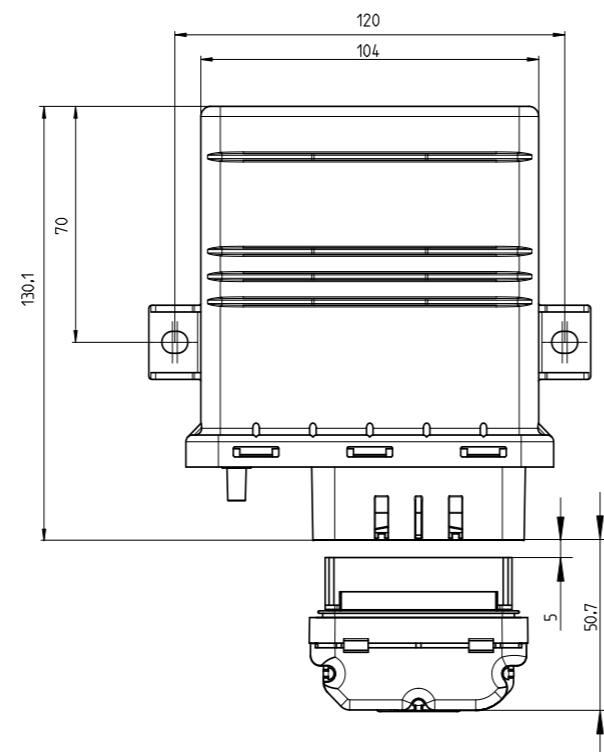
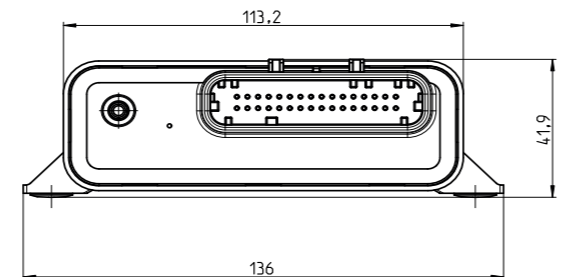
- IP65 protected
- AM / FM radio tuner with RDS
- Bluetooth audio player with 50m range
- USB memory device MP3 player
- Three band equalizer with volume control
- Power amplifier 4X28W (D class)
- NMEA 2000® certified
- Free downloadable VDO app

NMEA messages supported

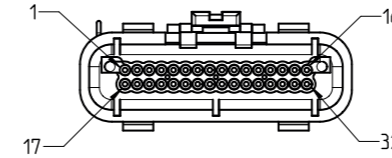
PGN	Description
130574	Entertainment - Supported Zone Data
130573	Entertainment - Supported Source Data
130572	Entertainment - Library Data Search
130570	Entertainment - Library Data File
130571	Entertainment - Library Data Group
130569	Entertainment - Current File and Status
130580	Entertainment - System Configuration Status
130581	Entertainment - Zone Configuration Status
130582	Entertainment - Zone Volume
130583	Entertainment - Available Audio EQ Presets
130584	Entertainment - Bluetooth Devices
130585	Entertainment - Bluetooth Source Status

Technical Data

Housing	Material: PA6-GF30
Dimensions (mm)	See figures
Mounting screws	Use the included screws
Start-Up Time	Cold start: < 1 s Warm start: < 1 s
Inputs/Outputs	See pinout tables
Supply Voltage	9-16 V dc
Operating Voltage	V dc
Quiescent Current	< 250 µA with ignition OFF
Current Consumption	0,4 A typical; max 8 A
Operating Temperature	-20°C to +60°C
Storage Temperature	-30°C to +80°C
Nominal Position	NL 0 to NL 85 (according to DIN 16257)
Protection Class	IP 65 (according to IEC 60529:2001; in nominal position)
Flammability	UL-94
EMC	DIN-EN 61000-6-2:2006 IEC 60945:2002 DIN-EN 61000-6-3:2011
Reverse Polarity Protection	No, it needs an external fuse (12 A)
Short Circuit Protection	Yes, 1 min
Approval	
Connector	Delphi Packard Micro-Pack MW100 series, 32-pins (with integrated NMEA connector and USB port)
Antenna connector	PL 259 Female. Pig tail solution, length 20 cm

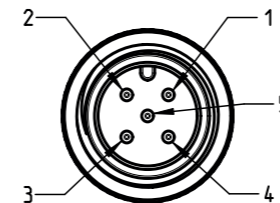


Micro-pack MW100 32-pin connector



Pin	Function	Wire colour	Remarks
1	GND	Black	-
2	GND	-	-
3	GND	-	USB shield
4	CAN1_L	Blue	NMEA 2000 NET-L
5	CAN0_L	-	Not used
6	USB GND	Black	-
7	USB_D-	White	-
8	-	-	Not used
9	NMEA Power	Red	NMEA 2000 NET-S
10	NMEA GND	Black	NMEA 2000 NET-C
11	-	-	Not used
12	-	-	Not used
13	LS_RL-	Green/Black	Loud Speaker (Rear Left)
14	LS_FL-	White/Black	Loud Speaker (Front Left)
15	LS_FR-	Gray/Black	Loud Speaker (Front Right)
16	LS_RR-	Purple/Black	Loud Speaker (Rear Right)
17	Battery	Red	Need external slow-blow fuse 12 A // fuse holder: 10xxxxxx
18	Battery	Red	
19	Battery	Red	
20	CAN1_H	White	NMEA 2000 NET-H
21	CAN0_H	-	Not used
22	USB_5V Power	Red	USB-stick only
23	USB_D+	Green	-
24	IGNITION	Yellow	-
25	-	-	Not used
26	-	-	Not used
27	-	-	Not used
28	-	-	Not used
29	LS_RL+	Green	Loud Speaker (Rear Left)
30	LS_FL+	White	Loud Speaker (Front Left)
31	LS_FR+	Gray	Loud Speaker (Front Right)
32	LS_RR+	Purple	Loud Speaker (Rear Right)

NMEA 2000 5-pin connector



Pin	Function	Wire colour
1	Shield	-
2	Signal NET-S	Red
3	Power NET-C	Black
4	Signal NET-H	White
5	Signal NET-L	Blue

