

Temperatursensor

1polig über Masse

Technische Daten:

Ausführung: Heißleiter (NTC)
 Nennspannung: 6V bis 24V
 Temperaturgleichzeit: Min. 3 Minuten nach eingeschaltetem Betriebssystem

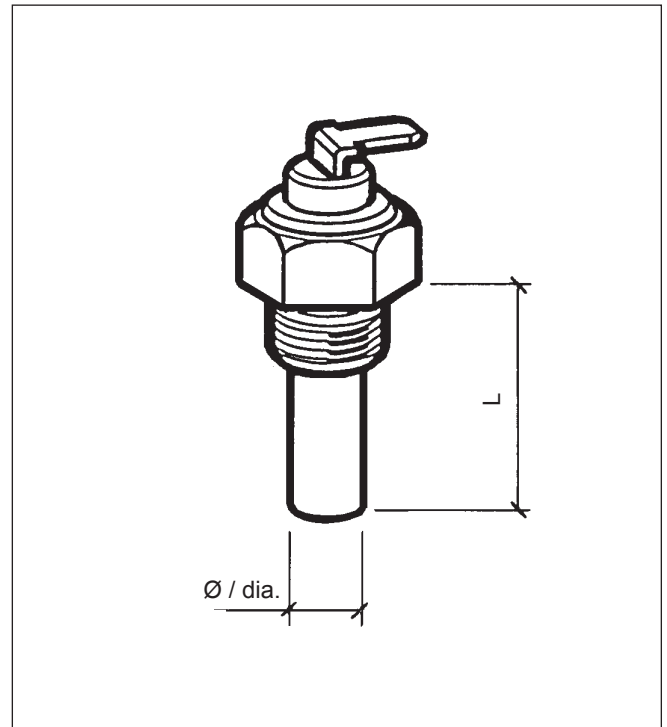
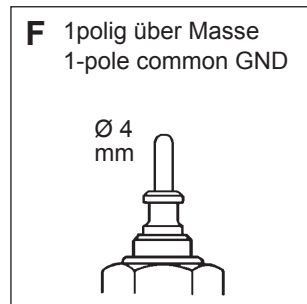
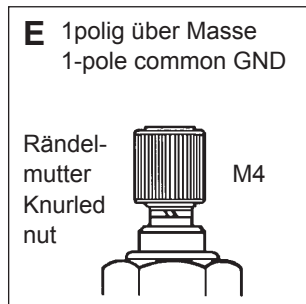
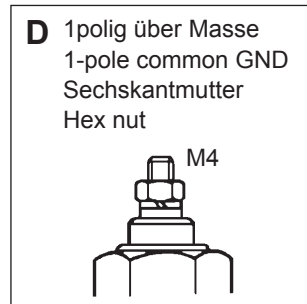
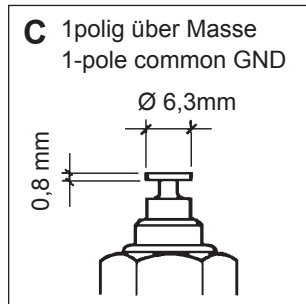
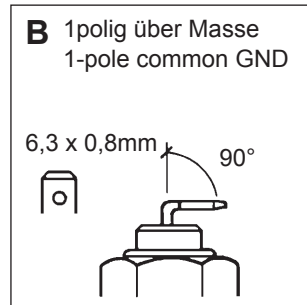
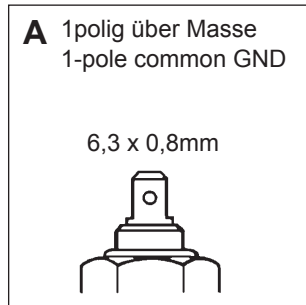
Temperatur Sensor

1-pole common ground

Technical Data:

Design: Thermistor (NTC)
 Rated voltage: 6V to 24V
 Temperature conditioning time: 3 minutes minimum after switching on power supply

Anschlussart / Type of connection:



Temperatursensor

1polig über Masse

Temperatur Sensor

1-pole common ground

Artikelnummer Order Number	▼	T max. [°C]	Gewinde Thread	Art Type	L [mm]	Ø / dia. [mm]
323-801-001-006K/N	1	120	M14 x 1,5	A	29	9
323-801-001-007N	1	120	3/8" - 18 NPTF	A	29	9
323-801-001-008N	1	120	5/8" - 18 UNF-3A	A	29	9
323-801-001-009N	1	120	1/4" - 18 NPTF	A	29	9
323-801-001-010K/N	1	120	1/2" - 14 NPTF	A	29	9
323-801-001-015N ★	1	120	3/8" - 18 Dryseal NPTF	A	29	9
323-801-001-022N	1	120	M18 x 1,5	A	29	9
323-801-001-026K/N	1	120	M14 x 1,5	E	29	9
323-801-001-029N	1	120	M16 x 1,5	E	29	9
323-801-001-040B ★	1	120	M16 x 1,5	A	29	9
323-801-001-040N	1	120	M16 x 1,5	A	29	9
323-801-001-054D	1	120	M14 x 1,5	D	29	9
323-801-001-058C	1	120	R 3/8" (DIN 2999, kegelig / tapered)	E	29	9
323-801-005-001D	1	120	1/8" - 27 NPTF	C	22	8,5
323-801-005-005D	1	120	M10 x 1	C	22	8,5
323-801-008-002D	13	120	M10 x 1	D	22	8,5
323-801-017-001K/N	1	120	M10 x 1 keg. kurz / tapered, short	C	10,5	8,4
323-801-020-002D	12	120	M14 x 1,5	F	24	9
323-804-015-005D ★	6	120	1/8" - 27 Dryseal NPTF	C	22	8,2
323-801-028-001C	14	Fühler: 250, Sechskant: 150 Probe: 250, hex.: 150	M14 x 1,5-6e	C	57	11,8
323-801-004-002N	2	150	M14 x 1,5	A	29	9
323-801-004-003D	2	150	R 1/2	A	29	9
323-801-004-006D	2	150	1/2" - 14 NPTF	D	29	9
323-801-004-007D	2	150	1/2" - 14 NPTF	A	29	9
323-801-004-012C	2	150	M16 x 1,5	E	29	9
323-801-004-017D	2	150	1/4" - 18 NPTF	D	29	9
323-801-004-036K ★	2	150	M24 x 1,5	B	29	9
323-801-004-039D/K	2	150	M14 x 1,5	B	29	9
323-801-009-001D	2	150	1/8" - 27 NPTF	C	22	8,2
323-801-009-003D	2	150	M10 x 1 keg. kurz / tapered, short	C	22	8,2
323-801-010-001D	2	150	M10 x 1,5	C	22	6,9
323-801-010-003K	2	150	M12 x 1,5	C	22	6,9
323-801-012-001D	2	150	M16 x 1,5	B	15	9
323-801-012-002D/K	2	150	M14 x 1,5	B	15	9
323-801-012-003D	2	150	M18 x 1,5	B	15	9
323-801-003-001D	12	200	M10 x 1,5	C	22	6,9
323-801-018-001D	12	200	1/8" - 27 NPTF	C	10,5	8,4
323-801-013-001D	12	200-230	1/8" - 27 NPTF	C	22	8,2

▼ Siehe Datei: Temperatursensor Kennlinie-Tabellen / see file: temperature sensor characteristic curve tables

★ Auslauf, bitte Verfügbarkeit prüfen. / Phase out, please check availability.

Temperatursensor mit Warnkontakt (über Masse)

Temperature Sensor with Warning Contact (common ground)

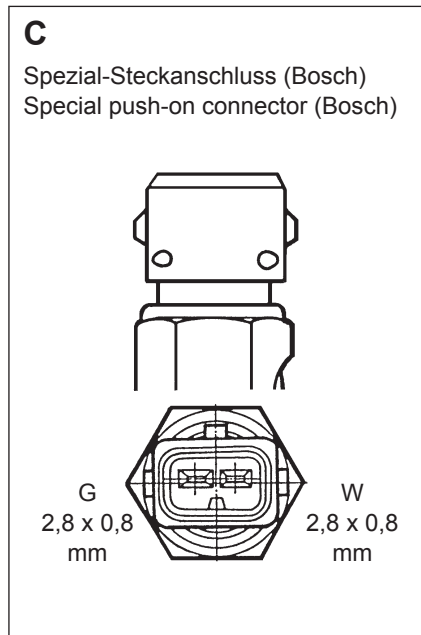
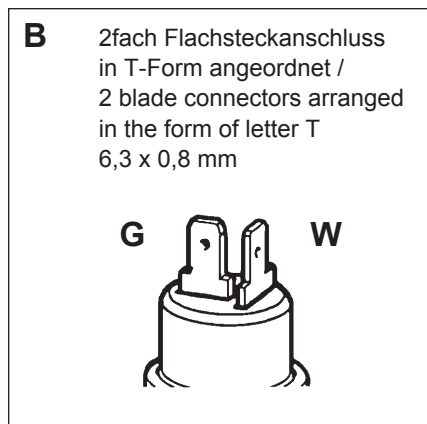
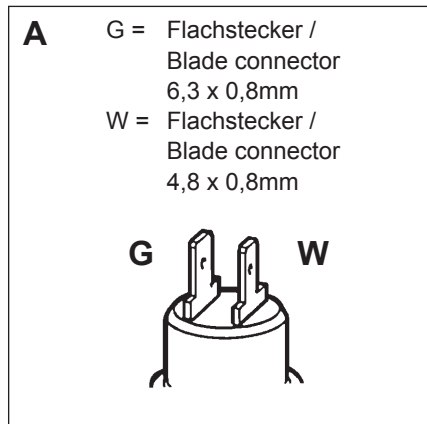
Technische Daten:

Ausführung: Heißleiter (NTC)
 Nennspannung: 6V bis 24V
 Temperaturangleichzeit: Min. 3 Minuten nach eingeschaltetem Betriebssystem
 Schaltleistung: 1,2W bis 3W induktionsfrei
 Ausschaltpunkt: Max. 5°C unter Einschaltpunkt
 Kontaktgabe: Schleichend
 Kontaktart: Schliesser
 Kontakt schließt bei steigender Temperatur

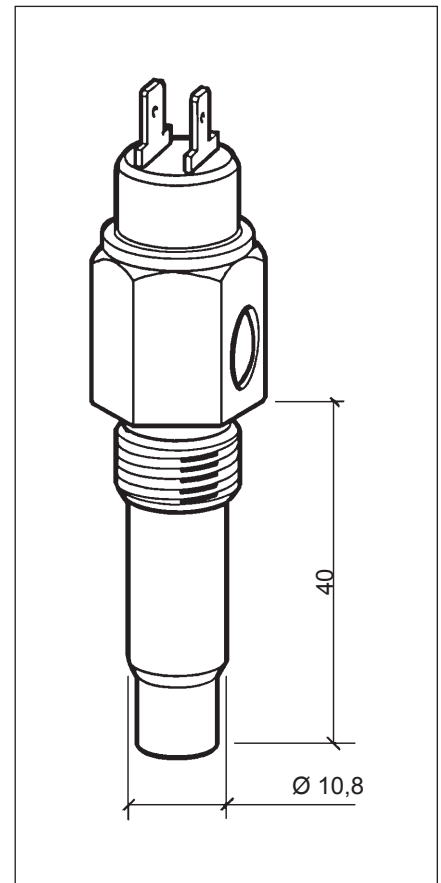
Technical Data:

Version: Thermistor (NTC)
 Rated voltage: 6V to 24V
 Temperature conditioning time: 3 minutes minimum after switching on power supply
 Switching capacity: 1.2W to 3W noninductive
 Break point: 5°C max. below make point
 Contacting mode: slow-acting
 Type of contact: NO
 Contact closes at increasing temperature

Anschlussart / Type of connection:



G = Sensoranschluss / Sensor terminal
 W = Warnkontaktanschluss / Warning contact terminal



Temperatursensor mit Warnkontakt (über Masse)

Temperature Sensor with Warning Contact (common ground)

Artikelnummer Order Number	▼	T max. [°C]	Gewinde Thread	Einschaltpunkt Switch-on point [°C]	Art Type
323-803-001-001D	1	120	M14 x 1,5	100 ±3	A
323-803-001-002D	1	120	5/8" - 18 NF-3	98 ±3	A
323-803-001-004D	1	120	M14 x 1,5	90 ±3	A
323-803-001-006D	1	120	M14 x 1,5	96 ±3	A
323-803-001-007D	1	120	M14 x 1,5	110 ±3	A
323-803-001-008D	1	120	M14 x 1,5	110 ±3	A
323-803-001-009D	1	120	M14 x 1,5	102 ±3	A
323-803-001-011D	1	120	5/8" - 18 NF-3	95 ±3	A
323-803-001-012D	1	120	5/8" - 18 NF-3	100 ±3	A
323-803-001-013D	1	120	M14 x 1,5	106 ±3	A
323-803-001-016D	1	120	M14 x 1,5	94 ±3	A
323-803-001-019D	1	120	1/2" - 14 NPTF	95 ±3	A
323-803-001-020D	1	120	M14 x 1,5	115 ±3	A
323-803-001-022D	1	120	M14 x 1,5	118 ±3	A
323-803-001-023D	1	120	M14 x 1,5	80 ±3	A
323-803-001-025D	1	120	1/2" - 14 NPTF	103 ±3	A
323-803-001-028D	1	120	M14 x 1,5	98 ±3	A
323-803-001-030D	1	120	1/2" - 14 NPTF	100 ±3	A
323-803-001-032D	1	120	1/2" - 14 NPTF	108 ±3	A
323-803-001-036D	1	120	5/8" - 18 NF-3	103 ±3	A
323-803-001-059D	1	120	5/8" - 18 NF-3	105 ±3	A
323-803-001-060D	1	120	1/2" - 14 NPTF	105 ±3	A
323-803-001-062C ★	1	120	1/2" - 14 NTPF	114 ±3	A
323-803-001-064C	1	120	M14 x 1,5	112 ±3	A
323-803-004-001D	1	120	M14 x 1,5	100 ±2,5	B
323-803-004-002D	1	120	M14 x 1,5	105 ±3	B
323-803-004-003D	1	120	M14 x 1,5	95 ±2,5	B
323-803-004-007D	1	120	M14 x 1,5	100+6	B
323-803-004-009D ★	1	120	5/8" - 18 NF-3	105 ±3	B
323-803-004-011D	1	120	M14 x 1,5	105 ±3	A (90°)
323-803-002-002D	2	150	M14 x 1,5	120 ±3	A
323-803-002-007D	2	150	M14 x 1,5	130 ±3	A
323-803-002-010C	2	150	M14 x 1,5	135 ±3	A
323-803-002-016D	2	150	M14 x 1,5	130 ±3	A
323-803-002-017D	2	150	M14 x 1,5 ¹	120 ±3	A
323-803-002-019D	2	150	M14 x 1,5	135 ±3	A
323-803-002-020D	2	150	M14 x 1,5	110 ±3	A
323-803-006-002C	2	150	M14 x 1,5	130 ±4	B
323-803-014-002D	4	150	M14 x 1,5	130 ±3	A
323-803-014-007C	4	150	M14 x 1,5	108 ±3	C
▼ Siehe Datei: Temperatursensor Kennlinie-Tabellen / see file: temperature sensor characteristic curve tables					
¹ mit Dichtungsring, unverlierbar / ¹ with sealing ring, captive					

★ Auslauf, bitte Verfügbarkeit prüfen. / Phase out, please check availability.

Temperatursensor für Lufttemperatur

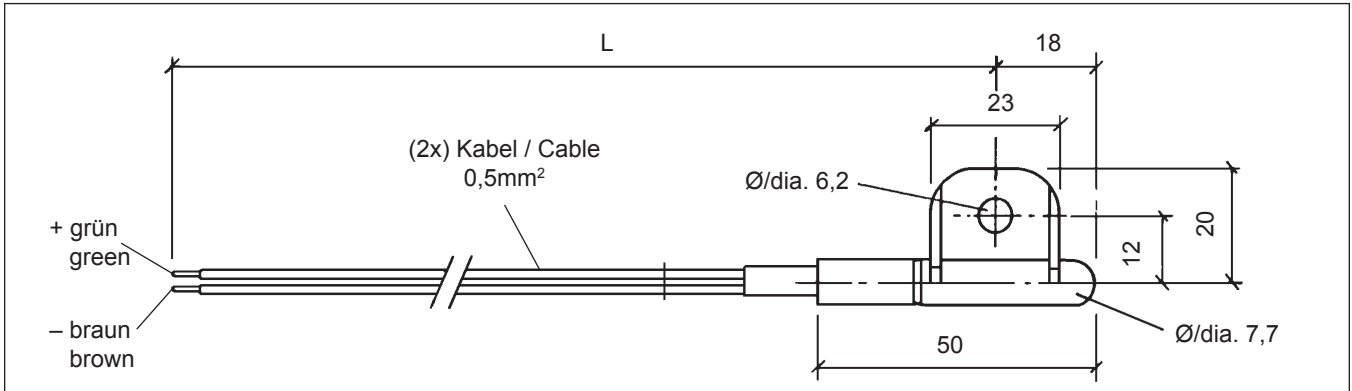
Technische Daten:

Ausführung:	Heißleiter (NTC), massiefrei
Nennspannung:	6V bis 24V
Betriebstemperatur:	- 40°C bis + 85°C max.
Temperaturangleichzeit:	Min. 3 Minuten nach eingeschaltetem Betriebssystem
Kennlinie-Tabelle:	16 ▼

Temperature Sensor for Air Temperature

Technical Data:

Version:	Thermistor (NTC), insulated return
Rated voltage:	6V to 24V
Operating temperature:	- 40°C to + 85°C max.
Temperature conditioning time:	3 minutes minimum after switching on power supply
Characteristic curve table:	16 ▼



▼ siehe Datei: Temperatursensor Kennlinie-Tabellen / see file: temperature sensors characteristic curve tables

Kabellänge / Cable length L:3000 mm
Kabellänge / Cable length L:4500 mm

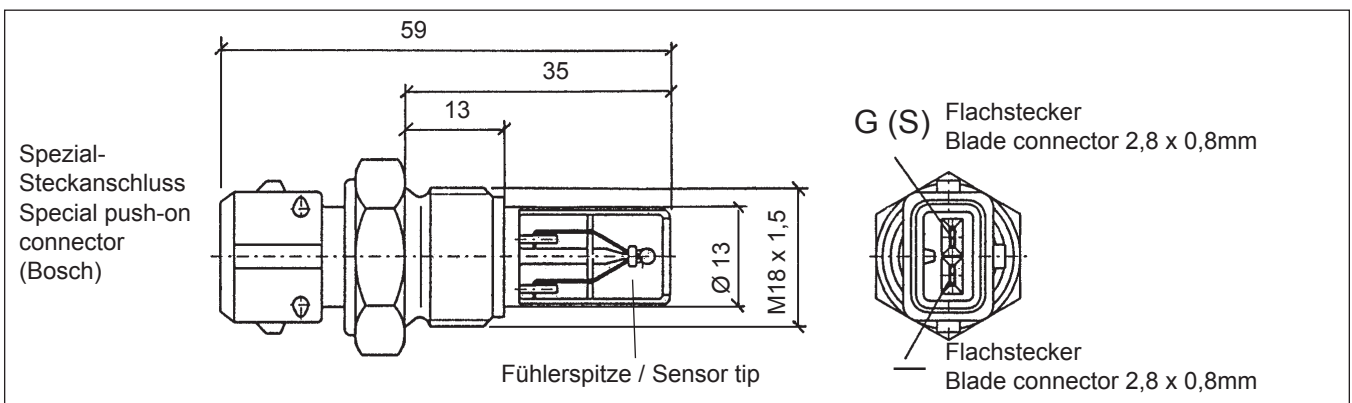
Artikel-Nr. / Order No. 323-809-010-005D
Artikel-Nr. / Order No. 323-809-010-006D

Technische Daten:

Ausführung:	Heißleiter (NTC), massiefrei
Nennspannung:	6V bis 24V
Betriebstemperatur:	- 40°C bis + 150°C max. an der Fühlerspitze
Temperaturangleichzeit:	Min. 3 Minuten nach eingeschaltetem Betriebssystem
Kennlinie-Tabelle:	17 ▼

Technical Data:

Version:	Thermistor (NTC), insulated return
Rated voltage:	6V to 24V
Operating temperature:	- 40°C to + 150°C max. on the sensor tip
Temperature conditioning time:	3 minutes minimum after switching on power supply
Characteristic curve table:	17 ▼



▼ siehe Datei: Temperatursensor Kennlinie-Tabellen / see file: temperature sensors characteristic curve tables

Artikel-Nr. / Order No. 323-809-019-003A

Temperatursensor

2polig massiefrei

Technische Daten:

Ausführung: Heißleiter (NTC)
Nennspannung: 6V bis 24V
Temperaturangleichzeit: Min. 3 Minuten nach eingeschaltetem Betriebssystem

Temperatur Sensor

2-pole insulated return

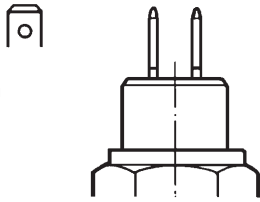
Technical Data:

Design: Thermistor (NTC)
Rated voltage: 6V to 24V
Temperature conditioning time: 3 minutes minimum after switching on power supply

Anschlussart / Type of connection:

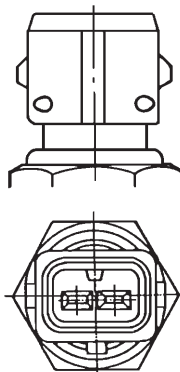
G massiefrei / insulated return

(2x)
6,3 x 0,8mm

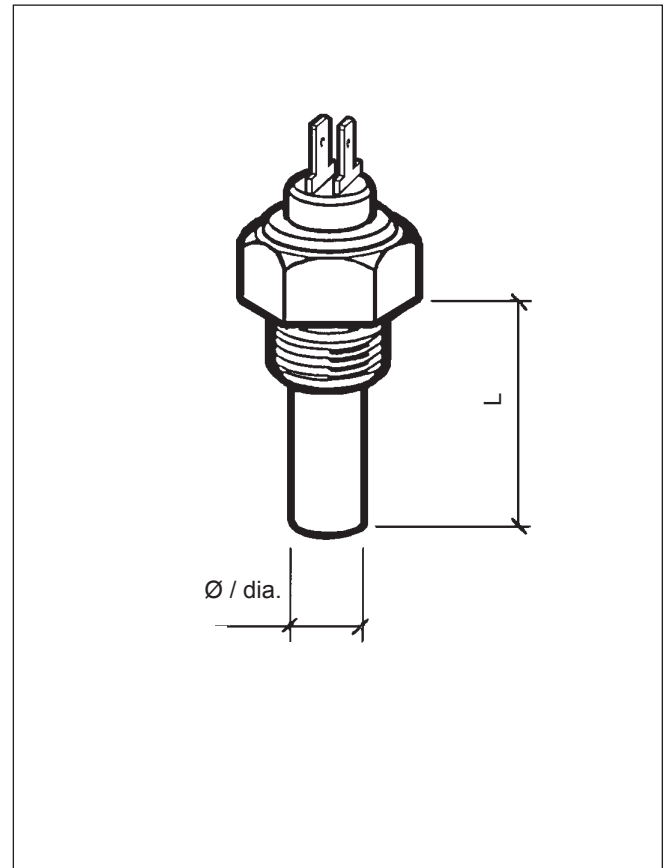


H massiefrei / insulated return

Spezial-Steckanschluss (Bosch)
Special push-on connector (Bosch)



(2x)
2,8 x 0,8mm



Temperatursensor

2polig massedfrei

Temperatur Sensor

2-pole insulated return

Artikelnummer Order Number	▼	T max. [°C]	Gewinde Thread	Art Type	L [mm]	Ø / dia. [mm]
323-805-001-001K/N	1	120	M14 x 1,5	G	29	11
323-805-001-002C	1	120	5/8" - 18 UNF-2A	G	24	11
323-805-001-004K/N	1	120	1/2" - 14 NPTF	G	29	11
323-805-001-005N	1	120	3/8" - 18 Dryseal NPTF	G	29	11
323-805-001-015N	1	120	M18 x 1,5	G	29	9
323-805-034-002B	18	120	M14 x 1,5	H	29	7,5
323-805-039-001C	11	120	M14 x 1,5	H	29	8,5
323-805-042-001C	15	120	M14 x 1,5	H	29	8,5
325-805-003-001C	19	120	1/4" - 18 NPTF	G	29	10,9
325-805-003-003C	19	120	3/8" - 18 NPTF	G	29	10,9
323-805-017-002C	9	130	M14 x 1,5	H	29	8,5
323-805-003-001N	2	150	M14 x 1,5	G	29	11
323-805-003-002N	2	150	1/4" - 18 NPTF	G	29	11
323-805-003-003N	2	150	5/8" - 18 UNF-2A mit Dichtkonus with sealing cone	G	29	11

▼ Siehe Datei: Temperatursensor Kennlinie-Tabellen / see file: temperature sensor characteristic curve tables

* Auslauf, bitte Verfügbarkeit prüfen. / Phase out, please check availability.

Temperatursensor

Kennlinie-Tabellen

Temperature Sensor

Characteristic Curve Tables

Temperaturgeber: Heißleiter (NTC) Kennlinie-Tabelle		Seite
Temperature sensor: thermistor (NTC) Characteristic curve table		Page
92-027-004	1	2
92-027-006	2	3
92-027-016	3	4
92-027-081	4	5
92-027-022	5	6
92-027-064	6	7
92-027-017	7	8
92-027-008	8	9
92-027-119	9	10
92-027-079	10	11
92-027-122	11	12
92-027-005	12	13, 14
92-027-007	13	15
92-027-063	14	16, 17
92-027-126	15	18
92-027-029-3901	16	19
92-027-106	17	20
92-027-121	18	21
92-027-010	19	22
92-027-011	20	23

Temperatursensor / Temperature Sensor

Kennlinie-Tabelle / Characteristic Curve Table 1

Heißleiter / Thermistor 92-027-004

Temp. °C	Geber / Sensor		
	R (Ohm)	± Tol (%)	± Tol (Ohm)
-40.0	17162.35	16.93	2906.00
-35.0	12439.50	16.32	2029.83
-30.0	9134.53	15.72	1435.77
-25.0	6764.48	15.13	1023.58
-20.0	5067.60	14.56	737.59
-15.0	3833.89	14.14	542.02
-10.0	2929.90	13.75	402.82
-5.0	2249.44	13.37	300.80
.0	1743.15	13.00	226.69
5.0	1364.07	12.65	172.56
10.0	1075.63	12.34	132.75
15.0	850.09	12.18	103.51
20.0	676.95	12.02	81.36
25.0	543.54	11.74	63.83
30.0	439.29	11.50	50.52
35.0	356.64	11.38	40.59
40.0	291.46	11.25	32.79
45.0	239.56	11.11	26.62
50.0	197.29	11.20	22.10
55.0	161.46	10.86	17.54
60.0	134.03	10.04	13.46
65.0	113.96	9.86	11.23
70.0	97.05	9.87	9.58
75.0	82.36	9.49	7.82
80.0	70.12	9.21	6.46
85.0	59.73	8.91	5.32
90.0	51.21	8.48	4.34
95.0	44.32	8.07	3.58
100.0	38.47	7.74	2.98
105.0	33.40	8.18	2.73
110.0	29.12	8.59	2.50
115.0	25.53	9.22	2.35
120.0	22.44	9.89	2.22
125.0	19.75	10.53	2.08
130.0	17.44	11.16	1.95
135.0	15.46	11.82	1.83
140.0	13.75	12.49	1.72
145.0	12.26	13.17	1.61
150.0	10.96	13.86	1.52

**Prüfmedium /
Test fluid:
Glycoshell**

Temperatursensor / Temperature Sensor

Kennlinie-Tabelle / Characteristic Curve Table 2

Heißleiter / Thermistor 92-027-006

Temp. °C	Geber / Sensor		
	R (Ohm)	± Tol (%)	± Tol (Ohm)
-40.0	36563.56	14.26	5212.38
-35.0	26284.63	13.87	3645.02
-30.0	19149.20	13.48	2581.56
-25.0	14127.68	13.11	1851.71
-20.0	10540.68	12.77	1346.27
-15.0	7721.35	12.60	972.85
-10.0	5720.88	12.45	712.14
-5.0	4284.03	12.32	527.68
0	3240.18	12.21	395.75
5.0	2473.60	12.13	300.01
10.0	1905.87	12.05	229.70
15.0	1486.65	12.10	179.88
20.0	1168.64	12.17	142.19
25.0	926.71	12.25	113.52
30.0	739.98	12.34	91.32
35.0	594.90	12.43	73.97
40.0	481.53	12.51	60.26
45.0	392.57	12.36	48.51
50.0	322.17	12.17	39.20
55.0	266.19	11.97	31.87
60.0	221.17	11.77	26.02
65.0	184.72	11.60	21.42
70.0	155.29	11.36	17.64
75.0	131.38	11.00	14.45
80.0	112.08	10.48	11.75
85.0	96.40	10.00	9.64
90.0	82.96	9.68	8.03
95.0	71.44	9.32	6.66
100.0	61.92	8.87	5.49
105.0	54.01	8.45	4.56
110.0	47.24	8.07	3.81
115.0	41.42	7.73	3.20
120.0	36.51	7.32	2.67
125.0	32.38	7.36	2.38
130.0	28.81	7.41	2.13
135.0	25.70	7.76	1.99
140.0	23.00	8.09	1.86
145.0	20.66	8.36	1.73
150.0	18.59	8.66	1.61
155.0	16.74	8.85	1.48
160.0	15.11	9.04	1.37
165.0	13.66	9.24	1.26
170.0	12.38	9.46	1.17
175.0	11.25	9.67	1.09
180.0	10.24	9.90	1.01

**Prüfmedium /
Test fluid:
Marlotherm S**

Temperatursensor / Temperature Sensor

Kennlinie-Tabelle / Characteristic Curve Table 3

Heißleiter / Thermistor 92-027-016

Temp. °C	Geber / Sensor		
	R (Ohm)	± Tol (%)	± Tol (Ohm)
-30.0	6494.33	13.29	862.90
-25.0	4648.88	13.08	607.86
-20.0	3369.82	12.89	434.40
-15.0	2471.21	12.74	314.78
-10.0	1831.83	12.61	230.98
-5.0	1371.63	12.52	171.69
.0	1036.68	12.47	129.24
5.0	790.38	12.45	98.41
10.0	607.53	12.47	75.74
15.0	470.63	12.52	58.92
20.0	367.31	12.59	46.24
25.0	289.19	12.68	36.67
30.0	229.32	12.75	29.24
35.0	183.20	12.82	23.48
40.0	147.46	12.84	18.94
45.0	119.63	12.75	15.25
50.0	97.83	12.57	12.29
55.0	80.64	13.80	11.13
60.0	67.01	14.92	10.00
65.0	56.10	14.35	8.05
70.0	47.32	13.71	6.49
75.0	40.18	13.03	5.23
80.0	34.42	12.23	4.21
85.0	29.68	11.53	3.42
90.0	25.59	10.98	2.81
95.0	22.13	10.67	2.36
100.0	19.25	10.33	1.99
105.0	16.83	10.28	1.73
110.0	14.76	10.24	1.51
115.0	12.99	10.22	1.33
120.0	11.46	10.21	1.17
125.0	10.15	10.77	1.09
130.0	9.01	11.34	1.02
135.0	8.02	11.93	.96
140.0	7.15	12.54	.90
145.0	6.40	13.16	.84
150.0	5.73	13.79	.79

**Prüfmedium /
Test fluid:
Glycoshell**

Temperatursensor / Temperature Sensor

Kennlinie-Tabelle / Characteristic Curve Table 4

Heißleiter / Thermistor 92-027-081

Temp. °C	Geber / Sensor		
	R (Ohm)	± Tol (%)	± Tol (Ohm)
-30.0	15980.29	19.78	3161.44
-25.0	11841.55	18.98	2247.59
-20.0	8875.65	18.20	1615.04
-15.0	6679.28	17.42	1163.54
-10.0	5078.36	16.67	846.35
-5.0	3879.50	15.92	617.49
.0	2991.26	15.19	454.40
5.0	2323.47	14.43	335.33
10.0	1819.64	13.69	249.17
15.0	1434.17	13.02	186.67
20.0	1138.30	12.37	140.81
25.0	908.81	11.07	100.65
30.0	731.94	10.77	78.82
35.0	591.25	10.74	63.53
40.0	480.71	10.71	51.50
45.0	393.35	10.61	41.74
50.0	323.63	10.53	34.08
55.0	267.45	10.43	27.91
60.0	222.54	10.27	22.86
65.0	186.47	10.03	18.70
70.0	157.09	9.77	15.35
75.0	133.02	9.44	12.56
80.0	113.22	9.09	10.30
85.0	96.84	8.73	8.46
90.0	83.25	8.34	6.95
95.0	71.93	7.95	5.72
100.0	62.43	7.54	4.71
105.0	54.43	7.13	3.88
110.0	47.62	6.73	3.20
115.0	41.79	6.30	2.63
120.0	36.81	5.87	2.16
125.0	32.54	5.45	1.77
130.0	28.86	5.04	1.46
135.0	25.66	5.52	1.42
140.0	22.87	6.03	1.38
145.0	20.40	6.51	1.33
150.0	18.25	6.99	1.28
155.0	16.38	7.49	1.23
160.0	14.73	8.00	1.18
165.0	13.28	8.57	1.14
170.0	11.99	9.14	1.10
175.0	10.85	9.73	1.06
180.0	9.84	10.32	1.02

**Prüfmedium /
Test fluid:
Marlotherm S**

Temperatursensor / Temperature Sensor

Kennlinie-Tabelle / Characteristic Curve Table 5

Heißleiter / Thermistor 92-027-022

Temp. °C	Geber / Sensor		
	R (Ohm)	± Tol (%)	± Tol (Ohm)
-40.0	19927.45	17.19	3426.11
-35.0	14754.35	16.75	2471.48
-30.0	11056.91	16.32	1804.21
-25.0	8379.81	15.89	1331.85
-20.0	6417.93	15.49	994.32
-15.0	4950.53	14.88	736.71
-10.0	3854.56	14.29	550.63
-5.0	3027.56	13.70	414.92
.0	2396.66	13.17	315.60
5.0	1903.88	12.95	246.56
10.0	1523.61	12.76	194.35
15.0	1227.76	12.58	154.49
20.0	994.33	12.51	124.43
25.0	806.79	12.69	102.37
30.0	658.54	12.88	84.84
35.0	540.63	13.09	70.77
40.0	445.93	13.35	59.53
45.0	369.38	13.51	49.89
50.0	307.64	13.65	42.01
55.0	257.61	13.78	35.50
60.0	217.02	13.84	30.04
65.0	183.89	13.71	25.21
70.0	156.68	13.52	21.19
75.0	134.23	13.27	17.81
80.0	115.41	13.05	15.06
85.0	99.74	12.93	12.89
90.0	86.67	12.73	11.04
95.0	75.70	12.48	9.45
100.0	66.61	12.05	8.03
105.0	58.88	12.08	7.11
110.0	52.27	12.07	6.31
115.0	46.58	12.04	5.61
120.0	41.59	12.07	5.02
125.0	37.26	12.09	4.51
130.0	33.49	12.11	4.05
135.0	30.20	12.12	3.66
140.0	27.29	12.14	3.31
145.0	24.73	12.03	2.97
150.0	22.46	11.91	2.68

**Prüfmedium /
Test fluid:
Glycoshell**

Temperatursensor / Temperature Sensor

Kennlinie-Tabelle / Characteristic Curve Table 6

Heißleiter / Thermistor 92-027-064

Temp. °C	Geber / Sensor		
	R (Ohm)	± Tol (%)	± Tol (Ohm)
-30.0	10407.46	11.68	1216.08
-25.0	8020.98	11.29	905.46
-20.0	6229.89	10.96	682.75
-15.0	4841.13	10.66	515.93
-10.0	3790.39	10.39	393.98
-5.0	2977.50	10.16	302.51
.0	2356.24	9.96	234.68
5.0	1877.62	9.78	183.54
10.0	1506.02	9.65	145.34
15.0	1215.79	9.54	116.01
20.0	987.12	9.50	93.76
25.0	806.99	9.53	76.88
30.0	662.36	9.59	63.50
35.0	545.98	9.69	52.91
40.0	452.25	9.79	44.29
45.0	376.46	9.92	37.34
50.0	314.24	10.15	31.89
55.0	263.14	10.26	27.00
60.0	222.01	10.27	22.79
65.0	188.57	10.34	19.51
70.0	160.68	10.46	16.80
75.0	137.51	10.47	14.40
80.0	118.19	10.44	12.34
85.0	102.06	10.34	10.56
90.0	88.56	10.17	9.01
95.0	77.20	9.95	7.69
100.0	67.71	9.63	6.52
105.0	59.63	9.35	5.57
110.0	52.71	9.04	4.76
115.0	46.77	8.69	4.06
120.0	41.64	8.27	3.44
125.0	37.20	8.28	3.08
130.0	33.39	8.18	2.73
135.0	30.05	8.11	2.44
140.0	27.08	8.13	2.20
145.0	24.44	8.08	1.98
150.0	22.14	7.96	1.76

**Prüfmedium /
Test fluid:
Glycoshell**

Temperatursensor / Temperature Sensor

Kennlinie-Tabelle / Characteristic Curve Table 7

Heißleiter / Thermistor 92-027-017

Temp. °C	Geber / Sensor		
	R (Ohm)	± Tol (%)	± Tol (Ohm)
-20.0	25042.64	12.68	3176.13
-15.0	18749.57	11.54	2164.16
-10.0	14095.92	10.38	1463.46
-5.0	10710.62	9.23	988.28
.0	8220.03	8.08	664.08
5.0	6340.08	7.91	501.49
10.0	4934.67	7.74	381.96
15.0	3874.20	7.58	293.54
20.0	3066.43	7.42	227.53
25.0	2437.07	7.31	178.13
30.0	1951.37	7.20	140.42
35.0	1573.61	7.08	111.47
40.0	1277.55	6.97	89.03
45.0	1043.72	7.13	74.44
50.0	857.97	7.29	62.58
55.0	709.47	7.45	52.87
60.0	590.02	7.63	45.01
65.0	490.70	7.23	35.48
70.0	410.30	6.82	27.99
75.0	344.87	6.41	22.10
80.0	291.32	6.00	17.47
85.0	246.75	6.34	15.65
90.0	209.98	6.66	13.99
95.0	180.02	6.55	11.80
100.0	155.00	6.45	10.00
105.0	133.71	6.74	9.01
110.0	115.80	7.02	8.13
115.0	100.67	7.30	7.35
120.0	87.84	7.57	6.65
125.0	76.91	7.84	6.03
130.0	67.56	8.11	5.48
135.0	59.54	8.37	4.98
140.0	52.63	8.64	4.55
145.0	46.66	8.90	4.15
150.0	41.49	9.17	3.80

**Prüfmedium /
Test fluid:
Glycoshell**

Temperatursensor / Temperature Sensor

Kennlinie-Tabelle / Characteristic Curve Table 8

Heißleiter / Thermistor 92-027-008

Temp. °C	Geber / Sensor		
	R (Ohm)	± Tol (%)	± Tol (Ohm)
-30.0	19125.46	13.50	2582.77
-25.0	14104.94	13.14	1853.43
-20.0	10516.08	12.81	1347.54
-15.0	7698.13	12.66	974.42
-10.0	5698.66	12.52	713.32
-5.0	4262.78	12.41	528.90
.0	3219.76	12.33	396.87
5.0	2454.24	12.27	301.20
10.0	1887.81	12.22	230.75
15.0	1469.55	12.31	180.87
20.0	1152.48	12.43	143.20
25.0	913.48	12.79	116.85
30.0	728.86	13.16	95.92
35.0	585.36	13.53	79.18
40.0	473.27	13.86	65.60
45.0	385.37	13.92	53.64
50.0	315.70	13.95	44.05
55.0	260.21	13.97	36.35
60.0	216.04	13.88	29.99
65.0	180.68	13.76	24.87
70.0	152.03	13.60	20.68
75.0	128.71	13.30	17.12
80.0	109.76	12.88	14.14
85.0	94.22	12.55	11.82
90.0	81.22	12.26	9.96
95.0	70.32	11.81	8.31
100.0	61.19	11.33	6.93
105.0	53.50	10.93	5.85
110.0	46.94	10.56	4.96
115.0	41.33	10.15	4.20
120.0	36.54	9.69	3.54
125.0	32.42	9.89	3.21
130.0	28.87	10.02	2.89
135.0	25.81	10.41	2.69
140.0	23.13	10.83	2.51
145.0	20.77	11.14	2.31
150.0	18.70	11.39	2.13
155.0	16.90	11.62	1.96
160.0	15.31	11.86	1.81
165.0	13.89	12.10	1.68
170.0	12.63	12.35	1.56
175.0	11.51	12.61	1.45
180.0	10.50	12.88	1.35

**Prüfmedium /
Test fluid:
Marlotherm S**

Temperatursensor / Temperature Sensor

Kennlinie-Tabelle / Characteristic Curve Table 9

Heißleiter / Thermistor 92-027-119

Temp. °C	Geber / Sensor		
	R (Ohm)	± Tol (%)	± Tol (Ohm)
-40.0	17682.54	10.98	1941.37
-35.0	12886.35	10.50	1353.05
-30.0	9511.94	10.03	953.67
-25.0	7048.53	9.51	670.17
-20.0	5283.37	9.00	475.72
-15.0	3976.49	8.60	341.94
-10.0	3024.12	8.21	248.19
-5.0	2311.12	7.86	181.69
.0	1783.12	7.53	134.20
5.0	1386.46	7.19	99.70
10.0	1087.36	6.86	74.61
15.0	858.73	6.52	56.00
20.0	683.59	6.18	42.23
25.0	548.72	5.96	32.68
30.0	443.66	5.73	25.41
35.0	360.47	5.48	19.76
40.0	294.95	5.22	15.39
45.0	243.01	4.95	12.04
50.0	201.46	4.69	9.45
55.0	167.63	4.40	7.37
60.0	140.31	4.09	5.74
65.0	118.22	3.83	4.53
70.0	100.12	3.58	3.58
75.0	85.05	3.31	2.82
80.0	72.58	3.05	2.21
85.0	62.22	2.78	1.73
90.0	53.56	2.52	1.35
95.0	46.23	2.26	1.04
100.0	40.06	1.99	.80
105.0	34.85	2.23	.78
110.0	30.43	2.49	.76
115.0	26.63	2.68	.71
120.0	23.38	2.88	.67
125.0	20.58	3.08	.63
130.0	18.17	3.28	.60

**Prüfmedium /
Test fluid:
Glycoshell**

Temperatursensor / Temperature Sensor

Kennlinie-Tabelle / Characteristic Curve Table 10

Heißleiter / Thermistor 92-027-079

Temp. °C	Geber / Sensor		
	R (Ohm)	± Tol (%)	± Tol (Ohm)
-25.0	296776.75	45.07	133772.00
-20.0	244764.88	40.86	99999.21
-15.0	199555.48	36.74	73325.48
-10.0	161040.78	32.87	52928.31
-5.0	128865.90	29.32	37778.61
.0	102463.83	26.17	26812.55
5.0	81141.90	23.41	18997.22
10.0	64133.61	21.04	13496.08
15.0	50695.18	19.00	9634.20
20.0	40140.31	17.24	6921.48
25.0	31913.54	15.79	5040.00
30.0	25470.75	14.51	3696.58
35.0	20420.35	13.37	2729.88
40.0	16452.20	12.32	2027.02
45.0	13324.39	11.35	1511.76
50.0	10848.26	10.43	1131.70
55.0	8879.55	9.56	849.01
60.0	7306.76	8.72	637.35
65.0	6044.02	7.92	478.57
70.0	5025.16	7.13	358.44
75.0	4194.78	6.36	266.61
80.0	3518.73	5.59	196.75
85.0	2963.76	4.90	145.37
90.0	2507.67	4.23	105.98
95.0	2131.15	3.55	75.68
100.0	1819.13	2.89	52.63
105.0	1555.71	3.53	54.95
110.0	1335.78	4.17	55.75
115.0	1151.39	4.82	55.45
120.0	996.30	5.47	54.50
125.0	863.76	6.09	52.58
130.0	751.51	6.71	50.44
135.0	655.66	7.33	48.07
140.0	573.94	7.96	45.66
145.0	503.72	8.58	43.20
150.0	443.47	9.20	40.80
155.0	391.39	9.82	38.43
160.0	346.44	10.44	36.17
165.0	307.33	11.06	33.99
170.0	273.37	11.68	31.92
175.0	243.79	12.29	29.97
180.0	217.95	12.91	28.14

**Prüfmedium /
Test fluid:
Marlotherm S**

Temperatursensor / Temperature Sensor

Kennlinie-Tabelle / Characteristic Curve Table 11

Heißleiter / Thermistor 92-027-122

Temp. °C	Geber / Sensor		
	R (Ohm)	± Tol (%)	± Tol (Ohm)
-40.0	1785803.92	13.39	239048.10
-35.0	1275122.22	12.81	163306.90
-30.0	918286.97	12.26	112614.80
-25.0	665948.91	11.72	78043.37
-20.0	488148.29	11.21	54726.82
-15.0	359767.25	10.72	38582.75
-10.0	267864.56	10.23	27411.62
-5.0	200375.83	9.79	19618.48
.0	151350.70	9.37	14175.68
5.0	115392.59	8.94	10317.02
10.0	88744.99	8.53	7573.49
15.0	68922.74	8.14	5611.03
20.0	53933.66	7.78	4197.33
25.0	42643.00	7.52	3205.67
30.0	33955.49	7.28	2471.82
35.0	27115.10	7.04	1908.96
40.0	21792.92	6.79	1479.29
45.0	17657.32	6.56	1157.87
50.0	14388.38	6.33	910.24
55.0	11770.42	6.10	717.44
60.0	9682.07	5.88	569.37
65.0	8002.82	5.67	453.80
70.0	6645.76	5.44	361.86
75.0	5547.35	5.24	290.90
80.0	4649.77	5.00	232.29
85.0	3922.24	4.82	189.15
90.0	3323.40	4.61	153.31
95.0	2823.34	4.42	124.85
100.0	2407.19	4.19	100.84
105.0	2062.38	4.45	91.88
110.0	1773.65	4.69	83.27
115.0	1529.06	4.96	75.79
120.0	1322.37	5.18	68.52
125.0	1147.54	5.44	62.42
130.0	998.82	5.66	56.56

Prüfmedium /

Test fluid:

Glycol

Temperatursensor / Temperature Sensor

Kennlinie-Tabelle / Characteristic Curve Table 12

Heißleiter / Thermistor 92-027-005

Teil / Section 1

Temp. °C	Geber / Sensor		
	R (Ohm)	± Tol (%)	± Tol (Ohm)
-30.0	46051.47	21.56	9929.25
-25.0	33802.79	20.08	6787.31
-20.0	25007.98	18.60	4651.45
-15.0	18714.60	17.12	3204.63
-10.0	14063.03	16.49	2318.87
-5.0	10679.03	15.86	1693.77
.0	8189.16	15.25	1248.65
5.0	6310.21	14.80	934.00
10.0	4906.17	14.37	704.87
15.0	3846.86	13.94	536.35
20.0	3039.65	13.54	411.67
25.0	2414.20	13.25	319.78
30.0	1931.11	12.96	250.21
35.0	1555.23	12.68	197.21
40.0	1260.48	12.42	156.58
45.0	1026.45	12.22	125.43
50.0	841.37	11.97	100.73
55.0	698.00	11.79	82.32
60.0	580.98	11.76	68.32
65.0	478.97	11.60	55.55
70.0	397.50	11.36	45.15
75.0	333.56	11.20	37.35
80.0	281.83	10.90	30.73
85.0	240.92	10.67	25.70
90.0	205.99	10.70	22.04
95.0	174.44	10.53	18.36
100.0	148.81	10.19	15.16
105.0	128.32	9.93	12.74
110.0	111.37	9.51	10.60
115.0	97.57	9.19	8.97
120.0	85.47	9.13	7.80
125.0	74.31	8.85	6.57
130.0	64.99	8.42	5.47
135.0	57.38	8.06	4.62
140.0	50.84	7.68	3.91
145.0	45.20	7.42	3.35
150.0	40.29	7.17	2.89
155.0	35.97	6.81	2.45
160.0	32.19	6.51	2.10
165.0	28.76	6.96	2.00

weiter siehe Seite / more see page 14

Temperatursensor / Temperature Sensor

Kennlinie-Tabelle / Characteristic Curve Table 12

Heißleiter / Thermistor 92-027-005

Teil / Section 2

Temp. °C	Geber / Sensor		
	R (Ohm)	± Tol (%)	± Tol (Ohm)
170.0	25.76	7.29	1.88
175.0	23.34	7.44	1.74
180.0	21.20	7.65	1.62
185.0	19.20	7.91	1.52
190.0	17.43	8.22	1.43
195.0	15.78	8.54	1.35
200.0	14.29	8.79	1.26
205.0	13.11	8.98	1.18
210.0	12.05	9.21	1.11
215.0	11.04	9.51	1.05
220.0	10.12	9.81	.99
225.0	9.30	10.07	.94
230.0	8.55	10.33	.88
235.0	7.88	10.59	.83
240.0	7.27	10.86	.79
245.0	6.72	11.17	.75
250.0	6.21	11.50	.71

Prüfmedium /
Test fluid:
Silikonöl / Silicon oil

Temperatursensor / Temperature Sensor

Kennlinie-Tabelle / Characteristic Curve Table 13

Heißleiter / Thermistor 92-027-007

Temp. °C	Geber / Sensor		
	R (Ohm)	± Tol (%)	± Tol (Ohm)
-30.0	10839.97	10.22	1107.44
-25.0	7894.30	9.43	744.46
-20.0	5820.86	8.64	503.02
-15.0	4329.44	7.84	339.58
-10.0	3256.85	7.04	229.25
-5.0	2470.11	6.22	153.64
.0	1892.98	5.39	102.01
5.0	1464.43	6.01	88.03
10.0	1143.48	6.62	75.74
15.0	899.41	7.22	64.96
20.0	713.37	7.82	55.76
25.0	570.94	8.45	48.26
30.0	460.31	9.09	41.84
35.0	373.18	9.72	36.29
40.0	304.56	10.36	31.55
45.0	249.55	11.00	27.44
50.0	205.71	11.63	23.92
55.0	171.09	12.27	20.99
60.0	143.08	12.91	18.47
65.0	120.18	13.55	16.29
70.0	101.46	14.20	14.41
75.0	85.95	14.84	12.76
80.0	73.15	15.49	11.33
85.0	62.54	16.13	10.09
90.0	53.69	16.77	9.01
95.0	46.29	17.42	8.06
100.0	40.06	18.06	7.24
105.0	34.81	18.70	6.51
110.0	30.35	19.35	5.87
115.0	26.55	19.99	5.31
120.0	23.31	20.64	4.81
125.0	20.53	21.28	4.37
130.0	18.14	21.92	3.98
135.0	16.08	22.56	3.63
140.0	14.29	23.20	3.31
145.0	12.73	23.84	3.04
150.0	11.38	24.48	2.79

**Prüfmedium /
Test fluid:
Glycoshell**

Temperatursensor / Temperature Sensor

Kennlinie-Tabelle / Characteristic Curve Table 14

Heißleiter / Thermistor 92-027-063

Teil / Section 1

Temp. °C	Geber / Sensor		
	R (Ohm)	± Tol (%)	± Tol (Ohm)
-35.0	42262.95	15.42	6515.34
-30.0	31137.77	15.20	4732.21
-25.0	23219.79	14.99	3481.09
-20.0	17512.24	14.80	2592.05
-15.0	13347.82	14.63	1952.27
-10.0	10275.77	14.47	1487.11
-5.0	7984.93	14.34	1145.04
.0	6259.39	14.23	890.83
5.0	4947.11	14.15	699.97
10.0	3940.41	14.10	555.45
15.0	3161.47	14.07	444.95
20.0	2553.96	14.08	359.70
25.0	2079.11	14.19	295.02
30.0	1702.75	14.33	244.01
35.0	1402.59	14.50	203.31
40.0	1161.68	14.69	170.60
45.0	967.22	14.90	144.08
50.0	808.98	15.16	122.68
55.0	679.30	15.41	104.68
60.0	572.84	15.70	89.95
65.0	485.03	15.94	77.31
70.0	412.37	16.21	66.83
75.0	352.10	16.40	57.73
80.0	301.84	16.60	50.10
85.0	259.92	16.68	43.34
90.0	224.71	16.75	37.64
95.0	195.18	16.69	32.57
100.0	170.18	16.61	28.27
105.0	149.07	16.38	24.42
110.0	131.05	16.15	21.17
115.0	115.72	15.78	18.26
120.0	102.55	15.39	15.78
125.0	91.25	14.91	13.60

weiter siehe Seite / more see page 17

Temperatursensor / Temperature Sensor

Kennlinie-Tabelle / Characteristic Curve Table 14

Heißleiter / Thermistor 92-027-063

Teil / Section 2

Temp. °C	Geber / Sensor		
	R (Ohm)	± Tol (%)	± Tol (Ohm)
130.0	81.41	14.46	11.77
135.0	72.90	13.91	10.14
140.0	65.44	13.39	8.76
145.0	58.93	12.79	7.54
150.0	53.35	12.03	6.42
155.0	48.42	11.56	5.59
160.0	44.05	11.09	4.88
165.0	40.17	10.61	4.26
170.0	36.68	10.19	3.74
175.0	33.57	9.73	3.27
180.0	30.76	9.33	2.87
185.0	28.23	8.89	2.51
190.0	25.97	8.43	2.19
195.0	23.93	8.02	1.92
200.0	22.10	7.58	1.67
205.0	20.44	7.20	1.47
210.0	18.92	6.93	1.31
215.0	17.52	6.85	1.20
220.0	16.24	6.81	1.11
225.0	15.07	6.74	1.02
230.0	14.01	6.61	.93
235.0	13.06	7.11	.93
240.0	12.19	7.63	.93
245.0	11.39	8.15	.93
250.0	10.65	8.68	.92

Prüfmedium /
Test fluid:
Silikonöl / Silicon oil

Temperatursensor / Temperature Sensor

Kennlinie-Tabelle / Characteristic Curve Table 15

Heißleiter / Thermistor 92-027-126

Temp. °C	Geber / Sensor		
	R (Ohm)	± Tol (%)	± Tol (Ohm)
-40.0	49089.59	11.43	5609.48
-35.0	34454.74	10.97	3778.40
-30.0	24445.25	10.57	2583.24
-25.0	17524.57	10.21	1788.66
-20.0	12687.10	9.92	1258.67
-15.0	9271.93	9.69	898.58
-10.0	6837.60	9.51	650.26
-5.0	5086.33	9.40	478.28
.0	3815.65	9.31	355.12
5.0	2886.81	9.26	267.34
10.0	2202.95	9.22	203.11
15.0	1696.02	9.11	154.46
20.0	1317.86	8.95	117.94
25.0	1036.32	8.99	93.13
30.0	822.74	8.91	73.34
35.0	659.37	8.73	57.59
40.0	533.28	8.49	45.27
45.0	435.01	8.16	35.48
50.0	357.67	7.77	27.81
55.0	296.22	7.39	21.89
60.0	246.93	6.98	17.23
65.0	207.06	6.56	13.58
70.0	174.57	6.13	10.71
75.0	147.90	5.75	8.50
80.0	125.88	5.31	6.68
85.0	107.58	5.52	5.94
90.0	92.31	5.68	5.24
95.0	79.52	5.85	4.65
100.0	68.75	6.00	4.13
105.0	59.64	6.17	3.68
110.0	51.92	6.35	3.30
115.0	45.35	6.53	2.96
120.0	39.73	6.69	2.66
125.0	34.92	6.87	2.40
130.0	30.79	7.07	2.18
135.0	27.22	7.26	1.98
140.0	24.14	7.44	1.80

**Prüfmedium /
Test fluid:
Glycol**

Temperatursensor / Temperature Sensor

Kennlinie-Tabelle / Characteristic Curve Table 16

Heißleiter / Thermistor 92-027-029-3901

Widerstandswerte mit Prüfschaltung gemäß
Kundenzeichnung /
Resistance values with test circuit according
to customer drawing

Temp. °C	Geber / Sensor		
	R (Ohm)	± Tol (%)	± Tol (Ohm)
-40.0	5848.26	.44	25.48
-35.0	5725.69	.50	28.68
-30.0	5574.12	.57	31.65
-25.0	5389.39	.63	34.06
-20.0	5174.01	.69	35.60
-15.0	4927.41	.71	35.08
-10.0	4658.61	.71	33.08
-5.0	4372.59	.69	30.08
.0	4082.00	.64	26.00
5.0	3794.36	.68	25.83
10.0	3520.31	.72	25.25
15.0	3262.42	.74	24.26
20.0	3029.33	.76	22.92
25.0	2823.37	.82	23.25
30.0	2643.73	.87	23.01
35.0	2486.95	.90	22.41
40.0	2353.45	.91	21.48
45.0	2239.89	.91	20.30
50.0	2144.43	.89	19.03
55.0	2063.97	.85	17.64
60.0	1996.72	.82	16.30
65.0	1940.11	.77	14.96
70.0	1892.86	.72	13.71
75.0	1853.26	.67	12.44
80.0	1820.12	.62	11.30
85.0	1792.21	.58	10.43

Widerstandswerte ohne Prüfschaltung
Widerstandskennlinie direkt am Sensor gemessen /
Resistance values without test circuit
Resistance values measured direct on the sensor

Temp. °C	Geber / Sensor		
	R (Ohm)	± Tol (%)	± Tol (Ohm)
-40.0	100377.66	6.47	6496.80
-35.0	72432.89	5.70	4127.20
-30.0	52945.69	5.03	2665.47
-25.0	39018.07	4.44	1730.99
-20.0	29093.27	3.91	1138.43
-15.0	21844.20	3.33	727.59
-10.0	16579.81	2.79	463.40
-5.0	12674.11	2.33	295.15
.0	9783.62	1.89	184.96
5.0	7608.21	1.88	142.89
10.0	5968.77	1.89	112.63
15.0	4704.49	1.92	90.41
20.0	3738.01	1.97	73.64
25.0	2995.07	2.25	67.52
30.0	2417.28	2.53	61.24
35.0	1958.66	2.83	55.45
40.0	1597.77	3.12	49.92
45.0	1309.95	3.41	44.62
50.0	1080.60	3.69	39.84
55.0	895.58	3.96	35.42
60.0	746.40	4.23	31.54
65.0	624.54	4.48	27.99
70.0	525.30	4.74	24.88
75.0	443.84	4.93	21.88
80.0	376.80	5.12	19.31
85.0	321.13	5.41	17.37

Prüfmedium /

Test fluid:

Silikonöl M5 / Silicon oil M5

Temperatursensor / Temperature Sensor

Kennlinie-Tabelle / Characteristic Curve Table 17

Heißleiter / Thermistor 92-027-106

Temp. °C	Geber / Sensor		
	R (Ohm)	± Tol (%)	± Tol (Ohm)
-40.0	168093.30	7.47	12560.47
-35.0	121029.12	7.14	8643.73
-30.0	88317.66	6.82	6021.00
-25.0	64989.19	6.60	4286.48
-20.0	48401.40	6.38	3087.91
-15.0	36313.93	6.11	2220.28
-10.0	27541.68	5.85	1610.30
-5.0	21040.55	5.68	1195.06
.0	16232.97	5.51	894.73
5.0	12608.31	5.29	666.74
10.0	9881.91	5.06	499.56
15.0	7796.08	4.81	374.99
20.0	6201.36	4.56	282.59
25.0	4965.97	4.45	220.76
30.0	4002.83	4.23	169.22
35.0	3244.88	3.95	128.24
40.0	2648.25	3.68	97.35
45.0	2172.41	3.45	74.87
50.0	1793.05	3.22	57.68
55.0	1486.82	3.29	48.91
60.0	1239.77	3.37	41.73
65.0	1037.84	3.59	37.30
70.0	873.28	3.82	33.39
75.0	738.12	3.96	29.22
80.0	626.83	4.09	25.66
85.0	534.39	4.18	22.33
90.0	457.57	4.27	19.53
95.0	393.20	4.41	17.33
100.0	339.26	4.55	15.43
105.0	293.70	4.59	13.48
110.0	255.21	4.64	11.83
115.0	222.47	4.88	10.86
120.0	194.59	5.13	9.98
125.0	170.71	5.22	8.92
130.0	150.24	5.32	7.99
135.0	132.59	5.47	7.25
140.0	117.36	5.62	6.59
145.0	104.15	5.86	6.11
150.0	92.68	6.11	5.66

Prüfmedium /

Test fluid:

Silikonöl M5 / M20

Silicon oil M5 / M20

Temperatursensor / Temperature Sensor

Kennlinie-Tabelle / Characteristic Curve Table 18

Heißleiter / Thermistor 92-027-121

Temp. °C	Geber / Sensor		
	R (Ohm)	± Tol (%)	± Tol (Ohm)
-30.0	2598.34	41	10.68
-25.0	2573.55	51	13.12
-20.0	2541.52	63	16.04
-15.0	2501.37	78	19.46
-10.0	2451.97	95	23.33
-5.0	2392.29	1.15	27.59
.0	2321.57	1.38	32.11
5.0	2237.74	1.64	36.72
10.0	2142.11	1.92	41.12
15.0	2034.45	2.22	45.10
20.0	1916.98	2.52	48.32
25.0	1791.62	2.86	51.16
30.0	1660.49	3.19	52.94
35.0	1526.20	3.46	52.83
40.0	1392.31	3.70	51.56
45.0	1260.61	3.88	48.89
50.0	1134.37	4.01	45.45
55.0	1014.70	4.12	41.79
60.0	903.63	4.19	37.83
65.0	801.29	4.25	34.02
70.0	708.60	4.27	30.24
75.0	625.05	4.25	26.59
80.0	550.68	4.21	23.18
85.0	484.48	4.18	20.25
90.0	426.21	4.12	17.58
95.0	374.99	4.01	15.03
100.0	330.17	3.87	12.78
105.0	291.07	3.72	10.84
110.0	256.99	3.57	9.18
115.0	226.85	3.44	7.81
120.0	200.63	3.31	6.64
125.0	177.44	3.54	6.28
130.0	157.24	3.76	5.92
135.0	139.62	3.99	5.57
140.0	124.25	4.21	5.24
145.0	110.80	4.44	4.92
150.0	99.01	4.66	4.61

**Prüfmedium /
Test fluid:
Glycoshell**

Temperatursensor / Temperature Sensor

Kennlinie-Tabelle / Characteristic Curve Table 19

Heißleiter / Thermistor 92-027-010

Temp. °C	Geber / Sensor		
	R (Ohm)	± Tol (%)	± Tol (Ohm)
-30.0	6494.33	13.29	862.90
-25.0	4648.88	13.08	607.86
-20.0	3369.82	12.89	434.40
-15.0	2471.21	12.74	314.78
-10.0	1831.83	12.61	230.98
-5.0	1371.63	12.52	171.69
.0	1036.68	12.47	129.24
5.0	790.38	12.45	98.41
10.0	607.53	12.47	75.74
15.0	470.63	12.52	58.92
20.0	367.31	12.59	46.24
25.0	289.19	12.68	36.67
30.0	229.32	12.75	29.24
35.0	183.20	12.82	23.48
40.0	147.46	12.84	18.94
45.0	119.63	12.75	15.25
50.0	97.83	12.57	12.29
55.0	80.64	13.80	11.13
60.0	67.01	14.92	10.00
65.0	56.10	14.35	8.05
70.0	47.32	13.71	6.49
75.0	40.18	13.03	5.23
80.0	34.42	12.23	4.21
85.0	29.68	11.53	3.42
90.0	25.59	10.98	2.81
95.0	22.13	10.67	2.36
100.0	19.25	10.33	1.99
105.0	16.83	10.28	1.73
110.0	14.76	10.24	1.51
115.0	12.99	10.22	1.33
120.0	11.46	10.21	1.17
125.0	10.15	10.77	1.09
130.0	9.01	11.34	1.02
135.0	8.02	11.93	.96
140.0	7.15	12.54	.90
145.0	6.40	13.16	.84
150.0	5.73	13.79	.79

**Prüfmedium /
Test fluid:
Glycoshell**

Temperatursensor / Temperature Sensor

Kennlinie-Tabelle / Characteristic Curve Table 20

Heißleiter / Thermistor 92-027-011

Temp. °C	Geber / Sensor		
	R (Ohm)	± Tol (%)	± Tol (Ohm)
-40.0	36563.56	14.26	5212.38
-35.0	26284.63	13.87	3645.02
-30.0	19149.20	13.48	2581.56
-25.0	14127.68	13.11	1851.71
-20.0	10540.68	12.77	1346.27
-15.0	7721.35	12.60	972.85
-10.0	5720.88	12.45	712.14
-5.0	4284.03	12.32	527.68
.0	3240.18	12.21	395.75
5.0	2473.60	12.13	300.01
10.0	1905.87	12.05	229.70
15.0	1486.65	12.10	179.88
20.0	1168.64	12.17	142.19
25.0	926.71	12.25	113.52
30.0	739.98	12.34	91.32
35.0	594.90	12.43	73.97
40.0	481.53	12.51	60.26
45.0	392.57	12.36	48.51
50.0	322.17	12.17	39.20
55.0	266.19	11.97	31.87
60.0	221.17	11.77	26.02
65.0	184.72	11.60	21.42
70.0	155.29	11.36	17.64
75.0	131.38	11.00	14.45
80.0	112.08	10.48	11.75
85.0	96.40	10.00	9.64
90.0	82.96	9.68	8.03
95.0	71.44	9.32	6.66
100.0	61.92	8.87	5.49
105.0	54.01	8.45	4.56
110.0	47.24	8.07	3.81
115.0	41.42	7.73	3.20
120.0	36.51	7.32	2.67
125.0	32.38	7.36	2.38
130.0	28.81	7.41	2.13
135.0	25.70	7.76	1.99
140.0	23.00	8.09	1.86
145.0	20.66	8.36	1.73
150.0	18.59	8.66	1.61
155.0	16.74	8.85	1.48
160.0	15.11	9.04	1.37
165.0	13.66	9.24	1.26
170.0	12.38	9.46	1.17
175.0	11.25	9.67	1.09
180.0	10.24	9.90	1.01

**Prüfmedium /
Test fluid:
Glycoshell**

Datenblätter für Sensoren und Schalter / Data Sheets For Sensors And Switches

Änderungsübersicht Temperatursensoren / Change Overview Temperature Sensors

Datum Date	Produktgruppe / Product line Doku-Nr. / Documentation No.	Seite Page	Bemerkung Comment
0499	Temperatursensor Temperature sensors TU00-0770-5104620	1-4	<p>entfernt / removed: 120 °C, 150 °C</p> <p>323-801-008-002D 323-801-001-046N 323-805-005-002N 323-801-001-048N 323-801-001-002N 323-801-005-002D 323-801-001-016N 323-801-001-038N 323-801-001-015N 323-801-002-001D 323-801-001-025N 323-801-012-013N 323-801-004-043N 323-801-004-016D 323-801-012-003D 323-801-012-004D 323-801-004-032D 323-801-004-036K 323-801-012-011K 323-801-004-041C</p> <p>Bemerkung / Comment: für Lufttemp. / for air temperature ohne Sechskantm. / without hex nut Ø 8 x 0,8 mm</p> <p>neu / new: Abbildung / View E, J, K 120 °C 130 °C 150 °C</p> <p>323-805-002-003D 323-805-033-002B 323-801-002-001D 323-804-015-001D 323-804-004-004D 323-801-001-030N 323-801-040-001D 323-805-017-001C 323-805-034-001B 323-801-004-009N, -040D 323-805-035-001D 323-801-043-001D 323-805-014-001B 323-805-028-002B, -003B 323-805-028-001B 323-801-004-003D, -042D</p> <p>Bemerkung / Comment ▲</p>
0499	Temperatursensor mit Warnkontakt Temperature sensors with Warning Contact TU00-0770-5204620	1-3	<p>entfernt / removed: 120 °C, 150 °C,</p> <p>neu / new: Bemerkung / Comment: blank / bright, „D“ Anschlussart / Type of connection C, D 120 °C, 150 °C,</p> <p>323-803-001-003D 323-803-001-033D 323-803-005-001D 323-803-001-015D 323-803-001-034D 323-803-002-008D 323-803-004-002B 323-803-001-019D 323-803-002-019D 323-803-002-016D 323-803-014-001D 323-803-014-003D 323-803-014-004C 323-803-002-017D 323-803-014-007C</p> <p>Bemerkung / Comment ▼</p>

Datenblätter für Sensoren und Schalter / Data Sheets For Sensors And Switches

Änderungsübersicht Temperatursensoren / Change Overview Temperature Sensors

Datum Date	Produktgruppe / Product line Doku-Nr. / Documentation No.	Seite Page	Bemerkung Comment
0499	Temperatursensor für Lufttemperatur Temperature sensors for Air Temperature TU00-0770-5304620	1 1 3	entfernt / removed: 323-809-005-001D neu / new: 323-809-005-002D Abbildung B neue Form / View B new form neu / new: komplett / complete
0499	Temperatursensor Ölstabgeber (massefrei) Dipstick-Type Oil Temperature sensors TU00-0770-5404620	1-4	neu / new: komplett / complete
0700	Temperatursensor Temperature sensors TU00-0770-5104620	2 2 3	323-804-015-005D war / was 001D entfernt / removed: 120°C 325-801-002-001C 323-805-017-002C war / was 001C 323-805-034-002B war / was 001B entfernt / removed: 120°C 323-801-040-001D 150°C 323-805-035-001D 150°C 323-801-043-001D
0700	Temperatursensor mit Warnkontakt Temperature sensors with Warning Contact TU00-0770-5204620	2	323-803-001-063D war / was 031D
0700	Temperaturgeber für Lufttemperatur Temperature sensors for air temperature TU00-0770-5304620	1	entfernt / removed: 323-809-005-002D
0700	Temperaturgeber (Spezialausführungen) Temperature sensors (special versions) TU00-0770-5504620	3, 4	entfernt / removed: komplett / complete (323-805-009-001D) (323-812-002-003A) (323-812-002-004A)
0101	Temperaturgeber Temperature sensors TU00-0770-5104620	2, 3, 4	neu / new: Spalte KT (Kennlinie-Tabellen) Column CT (characteristic curve tables), 323-805-003-002 N , für Doppelanzeige / for dual-station readings
0101	Temperaturgeber mit Warnkontakt Temperature sensors with warn- ing contact TU00-0770-5204620	2, 3	neu / new: Spalte KT (Kennlinie-Tabellen) Column CT (characteristic curve tables)
0101	Temperaturgeber für Lufttemperatur Temperature sensors for air tem- perature TU00-0770-5304620	1, 2 3	neu / new: Spalte KT (Kennlinie-Tabellen) Column CT (characteristic curve tables) Kennlinie-Tabelle Characteristic curve table
0101	Temperaturgeber (Spezialausführungen) Temperature sensors (special versions) TU00-0770-5504620	1 2	neu / new: Spalte KT (Kennlinie-Tabellen) Column CT (characteristic curve tables) Kennlinie-Tabelle Characteristic curve table
0101	Temperaturgeber, Kennlinie-Tabellen Temperature sensors, characteristic curve tables TU00-0770-7104620	1-23	neu / new: komplett / complete
0703	allgemein / general	-	neu / new: Corporate Design

Datenblätter für Sensoren und Schalter / Data Sheets For Sensors And Switches

Änderungsübersicht Temperatursensoren / Change Overview Temperature Sensors

Datum Date	Produktgruppe / Product line Doku-Nr. / Documentation No.	Seite Page	Bemerkung Comment
1005	Temperatursensor Temperature sensors TU00-0770-5104620	1	entfernt / removed:
		2	Anschlußart / Type of connection: J, K
		2	120 °C, 323-805-002-003 D
		2	120 °C, 323-805-033-002 B
		2	120 °C, 323-801-001-029 K
		2	120 °C, 323-805-005-001 N
		2	120 °C, 323-801-001-057 N
		2	120 °C, 323-801-001-009 K
		2	120 °C, 323-804-004-004 D
		2	120 °C, 323-801-001-053 C
		2	120 °C, 323-801-001-041 N
		2	120 °C, 323-801-017-005 N
		2	120 °C, 323-801-001-043 N
		2	120 °C, 323-801-001-030 N
		3	150 °C, 323-801-010-003 D
		3	150 °C, 323-801-012-014 D
		3	150 °C, 323-801-004-030 D/K
		3	150 °C, 323-801-004-014 D
		3	150 °C, 323-805-003-001 K
		3	150 °C, 323-805-014-001 B
		3	150 °C, 323-805-028-002 B
		3	150 °C, 323-801-004-029 D/K
		3	150 °C, 323-801-004-031 D/K
		3	150 °C, 323-805-028-001 B
		3	150 °C, 323-801-012-004 K
		3	150 °C, 323-801-004-032 K
		3	150 °C, 323-801-004-033 K
		3	150 °C, 323-801-004-023 D
		3	150 °C, 323-801-004-042 D
		3	150 °C, 323-801-004-035 D
		4	150 °C, 323-801-004-015 D
		4	150 °C, 323-801-004-013 D
		4	150 °C, 325-805-002-001 C
2, 3, 4	Betriebswert / Operatinal Value		
2	★ Auslauf / Phase out: 120 °C, 323-805-001-015 K		
2	120 °C, 323-805-001-004 K/N		
3	150 °C, 323-801-004-040 D		
4	150 °C, 323-801-012-011 D		
4	150 °C, 323-801-004-009 D		
4	150 °C, 323-801-003-002 D		
2	neu / new: 120 °C, 323-801-001-058 C		
1005	Temperatursensor mit Warnkontakt Temperature sensors with Warning Contact TU00-0770-5204620	1	entfernt / removed:
		1	Anschlußart / Type of connection: C
		2	C war / was D
		2	120 °C, 323-803-001-035 D
		2	120 °C, 323-803-001-029 D
		2	120 °C, 323-803-001-063 D
		2	120 °C, 323-803-001-037 D
		3	150 °C, 323-803-006-001 D
		3	150 °C, 323-803-002-019 C
		3	150 °C, 323-803-002-016 D
		3	150 °C, 323-803-014-001 D
		3	150 °C, 323-803-014-003 D
		3	150 °C, 323-803-002-001 D
		3	150 °C, 323-803-014-004 C
		3	150 °C, 323-803-002-004 D
2, 3	Betriebswert / Operatinal Value		
2	★ Auslauf / Phase out: 120 °C, 323-803-004-004 D		
3	neu / new: Index		

Datenblätter für Sensoren und Schalter / Data Sheets For Sensors And Switches

Änderungsübersicht Temperatursensoren / Change Overview Temperature Sensors

Datum Date	Produktgruppe / Product line Doku-Nr. / Documentation No.	Seite Page	Bemerkung Comment
1005	Temperatursensor für Lufttemperatur Temperature sensors for Air Temperature TU00-0770-5304620	1 1 1 2 2 2 2 3 3 3	entfernt / removed: VDO cockpit vision / international Tabelle / Table Betriebswert / Operatinal Value VDO LCD cockpit Tabelle / Table Betriebswert / Operatinal Value Gehäusefarbe / Housing Colour 1500 mm, 323-809-010-007 C Klipsausführung/Clip Version 323-809-010-001 A
1005	Temperatursensor Ölstabgeber (massefrei) Dipstick-Type Oil Temperature sensors TU00-0770-5404620		entfernt / removed: komplett / complete 435 mm, X10-323-003-001 C 615 mm, X10-323-003-002 C
1005	Temperatursensor (Spezialausführungen) Temperature sensors (Special Versions) TU00-0770-5504620	1 1 2	entfernt / removed: komplett / complete 323-801-028-001 C 323-801-028-002 C 323-804-004-010 C
1005	Temperatursensor Temperature sensors TU00-0774-5104620 TU00-0774-5204620	2, 3 2, 3	neu / new: Aufgrund laufender Änderungen des Portfolios bitte Verfügbarkeit prüfen. (Rücksprache mit Vertrieb HQ!) Because of ongoing changes of the portfolio please check availability (confer with Sales department HQ)!
0911	Temperatursensoren / Temperatur sensors	–	neu / new: Komplette Neuausgabe / Complete revision