

## OceanLink Battery Gauges

### Description

The OceanLink 52mm gauges are connected directly to any OceanLink Master unit using the patented EasyLink serial bus connection. Up to 20 EasyLink gauges for each Master can be daisy-chained together. OceanLink Gauges have white and black dial version, which is always completed with bezel in identical colour. Optional Chrome bezel is available as decorative accessory.

### Battery Current



**A2C1349640001**



**A2C1349650001**



**A2C1349660001**



**A2C1349680001**

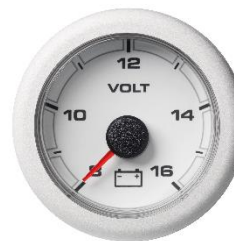
### Battery Voltage



**A2C1066100001**



**A2C1066120001**



**A2C1066110001**



**A2C1066130001**

**Available Gauges:**

Gauge PN	Gauge Type	Colour	Measurement range	Diameter (mm)
A2C1349640001	Battery Current	Black	- 60 / + 60 A	52
A2C1349660001	Battery Current	White	- 60 / + 60 A	52
A2C1349650001	Battery Current	Black	- 150 / + 150 A	52
A2C1349680001	Battery Current	White	- 150 / + 150 A	52
A2C1066100001	Battery Voltage	Black	8 – 16 V	52
A2C1066110001	Battery Voltage	White	8 – 16 V	52
A2C1066120001	Battery Voltage	Black	16 – 32 V	52
A2C1066130001	Battery Voltage	White	16 – 32 V	52

**Features**

- AMP Superseal EasyLink connector
- < 100 mA
- Illumination: Pointer Red, Dial White
- 240° pointer deflection angle
- Reverse polarity protection
- Plastic double lens anti-fog
- 52 mm Installation Diameter
- Operating temperature range -20 °C / +70 °C
- Storage temperature range -30 °C / +85 °C

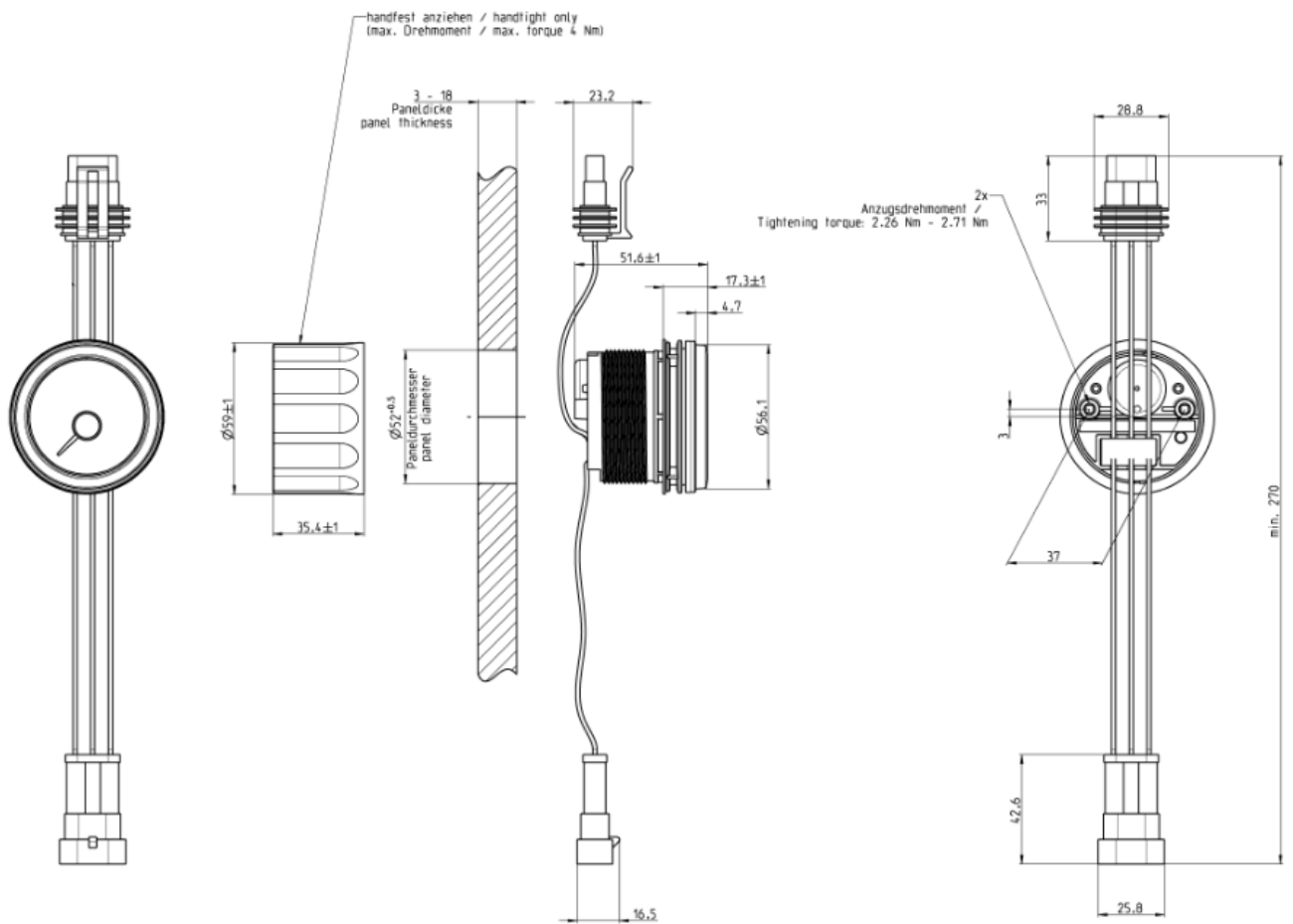
Technical Data	
<b>Housing</b>	Material: PBT- FR Bezel: Black, White
<b>Dimensions</b>	Installation Diameter: 52mm
<b>Operating Voltage</b>	9.0 -32 VDC
<b>Current Consumption</b>	<100mA
<b>Operating Temperature</b>	-20°C to +70°C
<b>Storage Temperature</b>	-30°C to +85°C
<b>Nominal Position</b>	NL 0 to NL 85; According to DIN 16257
<b>Mounting/Fixing</b>	Front or flush mount
<b>Protection Class</b>	IEC60945 exposed equipment Front: IPX5 extended Rear:IPX5
<b>Flammability</b>	UL94-V0
<b>EMC</b>	I DIN-EN 61000-6-2:2006 IEC 60945:2002/ISO7637-2
<b>Reverse Polarity Protection</b>	Yes,
<b>Short Circuit Protection</b>	Yes, 1 minute
<b>Approval</b>	CE and RoHS

**Connectors**

AMP Superseal 3 Pol

Pin	Signal
1	EasyLink – Power
2	EasyLink – Data
3	EasyLink – GND

**Mechanical Design**



**Accessories**

Part Number	Item specifics
A2C1141440001	Round black bezel 52mm
A2C5336487001	Round chrome bezel, 52mm
A2C1352110001	Round white bezel, 52mm
A2C1650700001	EasyLink extension cable
A2C5205947101	Union Nut 52mm