

OCEANLINK 85MM MASTER GAUGES

TACHOMETER / SPEEDOMETER

USER MANUAL
rev. AD



EN

DE

IT

FR

ES

PT

CONTENT

- Introduction 3**
 - Packaging Content 3
 - Description 3
- Safety Information 4**
- Mechanical Installation 6**
 - Installation with Spinlock 6
 - Flush Mounting 6
- Electrical Installation 7**
 - Pinout 7
 - Electrical Schematic 8
 - Analog Sensor Connection (RES 1, RES 2, RPM) 8
 - External Buzzer Connection (B1) 8
 - Illumination Switch (S1) 9
 - Connection to the NMEA 2000® Network 9
 - Connection to EasyLink Satellites 9
 - Connection to SAE J1939 10
- Display 11**
 - Screen Layout 11
 - Brightness and Contrast 12
 - Displayable Datatypes 12
- Settings Menu 14**
 - Menu Structure 14
 - Using the Settings Menu 15
 - Configure a Sensor Input 15
- Alarms 16**
 - Alarm Signal 16
 - Managing Alarms 16
 - Configure Local alarms 16
 - Minimum RPM 16
 - List of Local Alarms 17
 - List of Managed CAN Bus Alarms 17
- Troubleshooting 18**
 - Display Problems 18
 - Problems on Connected 52mm Gauges 18
- Technical Data 19**
- Accessories 20**
- Variants 20**

INTRODUCTION

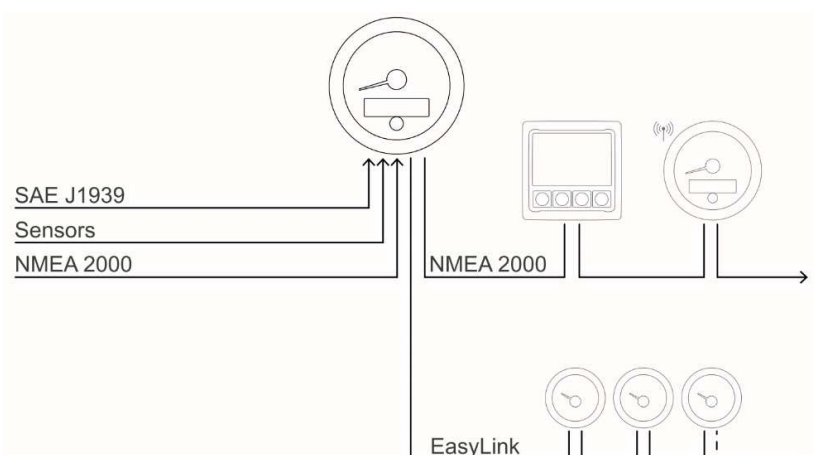
PACKAGING CONTENT

Article	Part Number
1x OceanLink 85mm Master Gauge	depends on gauge type, color and dial range (See section "VARIANTS")
1x Spinlock	A2C1376090001
1x Pigtail Cable	A2C1433330001
1x Safety Instructions	B000100

DESCRIPTION

In addition to indicating RPM / (GPS) speed, the OceanLink® Master gauge automatically presents all the key data ranging from oil pressure and fuel consumption to operating hours – on a generously proportioned inverted dot matrix digital display.

Besides a CAN interface with NMEA 2000® certified and SAE J1939 data protocol it features two inputs for analog sensors. The innovative EasyLink data connection makes the installation easy and cost effective.



OceanLink® is available in various designs and with a number of bezel color options. The instruments can also be conveniently integrated into customer-specific panel solutions.

The OceanLink Master gauge displays all important engine related data and distributes it to up to 16 52mm satellite gauges. It also works as a NMEA2000 gateway, by distributing the information from the analog inputs to the digital network.

SAFETY INFORMATION

WARNING

- No smoking! No open fire or heat sources!
- The product was developed, manufactured and inspected according to the basic safety requirements of EC Guidelines and state-of-the-art technology.
- The instrument is designed for use in grounded vehicles and machines as well as in pleasure boats, including non-classified commercial shipping.
- Use our product only as intended. Use of the product for reasons other than its intended use may lead to personal injury, property damage or environmental damage. Before installation, check the vehicle documentation for vehicle type and any possible special features!
- Use the assembly plan to learn the location of the fuel/hydraulic/compressed air and electrical lines!
- Note possible modifications to the vehicle, which must be considered during installation!
- To prevent personal injury, property damage or environmental damage, basic knowledge of motor vehicle/shipbuilding electronics and mechanics is required.
- Make sure that the engine cannot start unintentionally during installation!
- Modifications or manipulations to veratron products can affect safety. Consequently, you may not modify or manipulate the product!
- When removing/installing seats, covers, etc., ensure that lines are not damaged and plug-in connections are not loosened!
- Note all data from other installed instruments with volatile electronic memories.

SAFETY DURING INSTALLATION

- During installation, ensure that the product's components do not affect or limit vehicle functions. Avoid damaging these components!
- Only install undamaged parts in a vehicle!
- During installation, ensure that the product does not impair the field of vision and that it cannot impact the driver's or passenger's head!
- A specialized technician should install the product. If you install the product yourself, wear appropriate work clothing. Do not wear loose clothing, as it may get caught in moving parts. Protect long hair with a hair net.
- When working on the on-board electronics, do not wear metallic or conductive jewelry such as necklaces, bracelets, rings, etc.
- If work on a running engine is required, exercise extreme caution. Wear only appropriate work clothing as you are at risk of personal injury, resulting from being crushed or burned.
- Before beginning, disconnect the negative terminal on the battery, otherwise you risk a short circuit. If the vehicle is supplied by auxiliary batteries, you must also disconnect the negative terminals on these batteries!
- Short circuits can cause fires, battery explosions and damages to other electronic systems. Please note that when you disconnect the battery, all volatile electronic memories lose their input values and must be reprogrammed.
- If working on gasoline boat motors, let the motor compartment fan run before beginning work.
- Pay attention to how lines and cable harnesses are laid so that you do not drill or saw through them!
- Do not install the product in the mechanical and electrical airbag area!
- Do not drill holes or ports in load-bearing or stabilizing stays or tie bars!
- When working underneath the vehicle, secure it according to the specifications from the vehicle manufacturer.
- Drill small ports; enlarge and complete them, if necessary, using taper milling tools, sabre saws, keyhole saws or files. Deburr edges. Follow the safety instructions of the tool manufacturer.

SAFETY INFORMATION

- Use only insulated tools if work is necessary on live parts.
- Use only the multimeter or diode test lamps provided, to measure voltages and currents in the vehicle/machine or boat. Use of conventional test lamps can cause damage to control units or other electronic systems.
- The electrical indicator outputs and cables connected to them must be protected from

direct contact and damage. The cables in use must have enough insulation and electric strength and the contact points must be safe from touch.

- Use appropriate measures to also protect the electrically conductive parts on the connected consumer from direct contact. Laying metallic, uninsulated cables and contacts is prohibited.

SAFETY AFTER INSTALLATION

- Connect the ground cable tightly to the negative terminal of the battery.
- Reenter/reprogram the volatile electronic memory values.

- Check all functions.
- Use only clean water to clean the components. Note the Ingress Protection (IP) ratings (IEC 60529).

ELECTRICAL CONNECTION

- Note cable cross-sectional area!
- Reducing the cable cross-sectional area leads to higher current density, which can cause the cable cross-sectional area in question to heat up!
- When installing electrical cables, use the provided cable ducts and harnesses; however, do not run cables parallel to ignition cables or to cables that lead to large electricity consumers.
- Fasten cables with cable ties or adhesive tape. Do not run cables over moving parts. Do not attach cables to the steering column!
- Ensure that cables are not subject to tensile, compressive or shearing forces.
- If cables are run through drill holes, protect them using rubber sleeves or the like.
- Use only one cable stripper to strip the cable. Adjust the stripper so that stranded wires are not damaged or separated.
- Use only a soft soldering process or commercially available crimp connector to solder new cable connections!

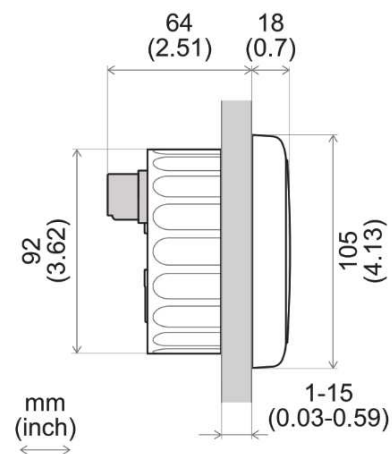
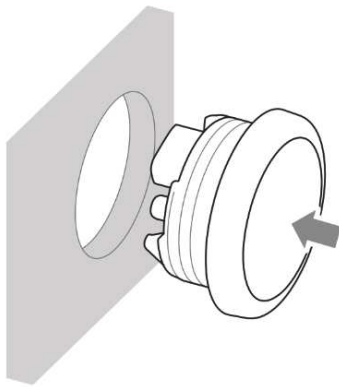
- Make crimp connections with cable crimping pliers only. Follow the safety instructions of the tool manufacturer.
- Insulate exposed stranded wires to prevent short circuits.
- Caution: Risk of short circuit if junctions are faulty or cables are damaged.
- Short circuits in the vehicle network can cause fires, battery explosions and damages to other electronic systems. Consequently, all power supply cable connections must be provided with weldable connectors and be sufficiently insulated.
- Ensure ground connections are sound.
- Faulty connections can cause short circuits. Only connect cables according to the electrical wiring diagram.
- If operating the instrument on power supply units, note that the power supply unit must be stabilized and it must comply with the following standard: DIN EN 61000, Parts 6-1 to 6-4.

MECHANICAL INSTALLATION

INSTALLATION WITH SPINLOCK

For panels of thickness 1 - 15mm

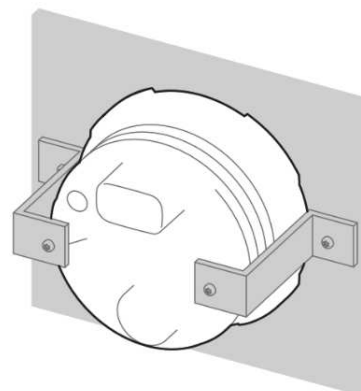
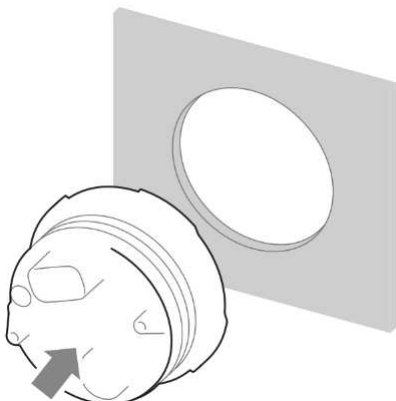
1. Create a circular hole in the panel with 86mm diameter.
2. Remove the spinlock and insert the device from the front.
3. Adjust the spinlock according to the panel thickness
4. Carefully screw in the spinlock by hand at least two turns and insert the connector.



FLUSH MOUNTING

For panels of thickness 1.5 - 3mm

1. Create a circular hole in the panel with an 83.5 mm diameter.
2. Remove the spinlock.
3. Remove the bezel using slip joint pliers.
Note: *the bezel cannot be used after removal since it might be damaged.*
4. Insert the instrument into the drill hole from the back.
5. Adjust the instrument so that the gauge is level and fasten it to the rear side of the panel.
6. Insert the connector.



ELECTRICAL INSTALLATION

PINOUT

WARNING

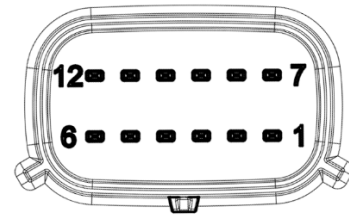
- Refer to the safety rules described in the electrical connections section of the safety information chapter of this document!

Depending on the configuration, insert the cable into the 12-pin contact enclosure according to the following pin assignment.

The contacts must audibly lock into place.

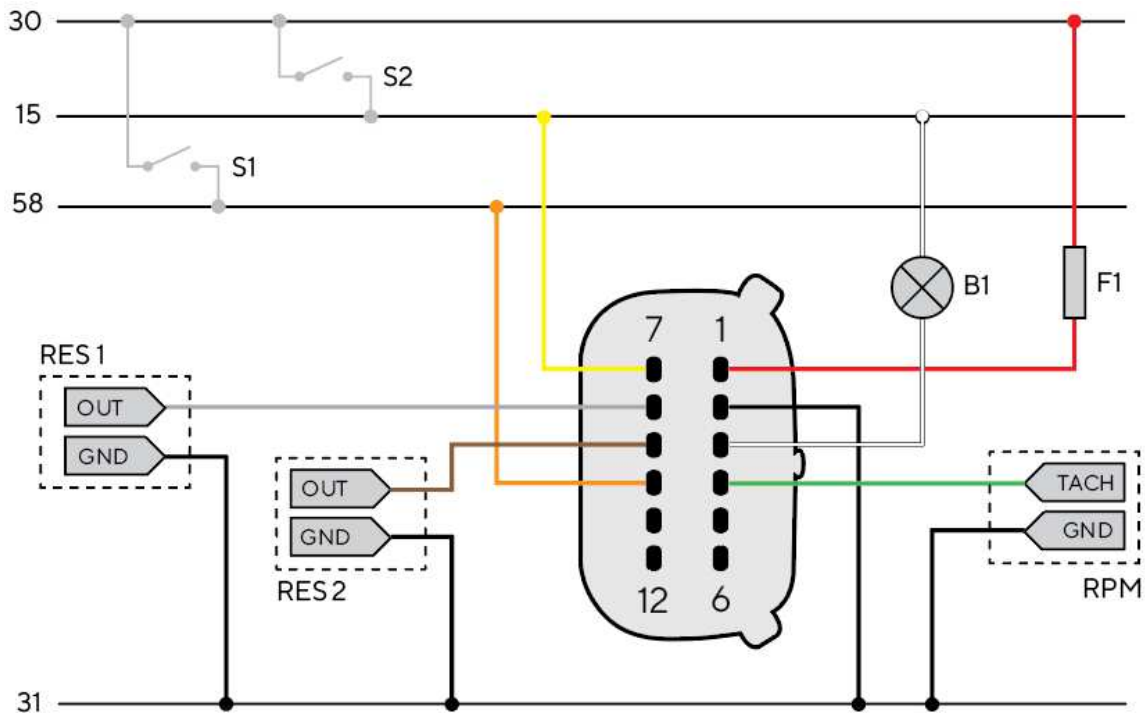
Now insert the plug into the gauge.

Note the inverse polarity protection noses in the process.



Pin No.	Wire color	Description
1	Red	Term. 30 – Power (12V/24V)
2	Black	Term. 31 – Ground
3	White	Alarm output (max. 500 mA, open collector)
4	Green	RPM sensor input
5	Blue	SAE J1939 – CAN Low
6	Blue / White	SAE J1939 – CAN High
7	Yellow	Term. 15 – Ignition plus
8	Gray	Sensor input 1 (0-400 Ohm)
9	Brown	Sensor input 2 (0-400 Ohm)
10	Orange	Term. 58 – Illumination
11	Red	EasyLink Power (leads to 3 pole connector)
12	Yellow	EasyLink Signal (leads to 3 pole connector)

ELECTRICAL SCHEMATIC

**Designations in the circuit diagram:**

30 - Term.30 - Battery Power 12V

15 - Term. 15 - Ignition positive

31 - Term. 31 - Ground

58 - Term.58 - Illumination positive

S1 - Day/Night mode switch (not included)

S2 - Ignition key

F1 - 3A fuse (not included)

B1 - External buzzer (not included)

RES 1 - Resistive analogue input 1

RES 2 - Resistive analogue input 2

RPM - Frequency Analog Input

ANALOG SENSOR CONNECTION (RES 1, RES 2, RPM)

Any sensor connected to an analog input (RES 1, RES 2, RPM) of the 85mm device must be connected as shown in the figure.

It is advisable to use sensors with isolated ground, and it is necessary to ensure that the sensor ground is connected to the master gauges ground to avoid incorrect readings.

EXTERNAL BUZZER CONNECTION (B1)

The OceanLink device supports the connection of an external buzzer (B1) via the dedicated alarm output. This buzzer can be powered at different voltages (consult the buzzer manufacturer's manual), as the alarm output is connected to ground inside the tachometer or speedometer (Open collector output).

It is important to note that the maximum current supported is 500mA.

ILLUMINATION SWITCH (S1)

To turn the backlight illumination ON or OFF, add an external switch (S1) to the power supply (Term.30), or use the lights signal onboard (Term.58), if there’s one available.

CONNECTION TO THE NMEA 2000® NETWORK

Once the installation is complete, you can interface the device to the NMEA 2000® network through the dedicated socket on the wiring harness.

Be sure to tighten the M12 connector by screwing it onto its counterpart in order to preserve its watertightness.

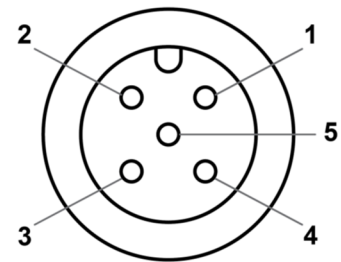
The total length of the connection can be extended using one of the accessory drop cables.
Note that NMEA 2000® does not allow drop cables longer than 6 meters.

Refer to the NMEA 2000® standard for proper network design.



NMEA 2000® CONNECTOR

Pin No.	Description
1	Shield
2	NET-S (V+)
3	NET-C (V-)
4	NET-H (CAN H)
5	NET-L (CAN L)



Micro-C M12 5 poles plug male, cable view

CONNECTION TO EASYLINK SATELLITES

The OceanLink 85mm Tachometers and Speedometers can be used as a master gauge to some other 52mm OceanLink satellite gauges. Those satellites must be all connected in a single row (daisy chain). The master then provides the information it gets over NMEA2000, SAE J1939, GPS or from its own analog inputs to the devices in the daisy chain.

This bus system is called EasyLink. It allows up to 16 satellites in one row and a total length of maximum 20 meters.

EASYLINK CONNECTOR

Pin No.	Wire color	Description
1	Red	12V Power
2	Blue	Ground
3	Yellow	EasyLink Data



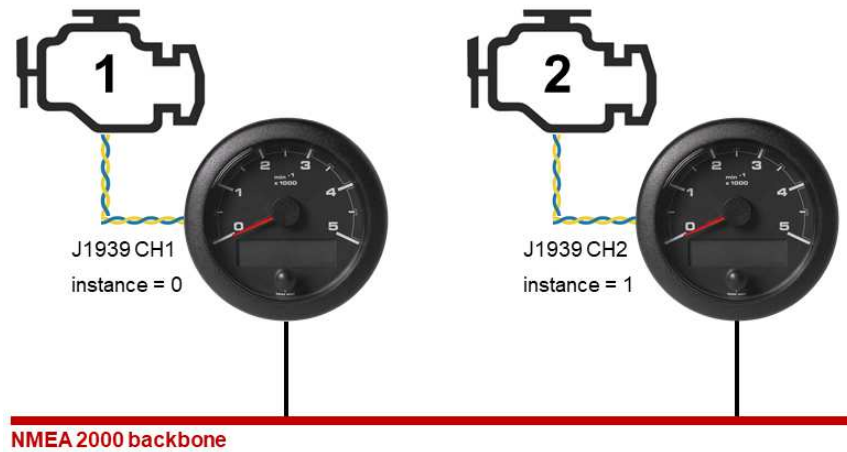
AMP SuperSeal 1.5 3 poles plug female, cable view

CONNECTION TO SAE J1939

The OceanLink Master is equipped with a SAE J1939 port to connect your CAN engine to the device and displaying the digital data coming from them.

Make sure to properly setup the J1939 gateway so that all the engine data are transmitted on NMEA 2000 with the correct instance.

Note that the instancing starts at zero. Therefore engine 1 gets instance 0, engine 2 gets instance 1, and so on.



DISPLAY

The display can present a variety of different engine-, battery- and vessel data. To scroll through the different pages, showing the different values, briefly press the push button.

By default, all the possible screens are enabled. To select, which ones to hide and which to display go to the submenu "SCREENS ON/OFF" in the settings menu. (See chapter "SETTINGS MENU" in this document)

If there are any alarms active, there will be an additional page giving information about the current alarms. Also, there is a symbol showing "AL" displayed on every data page.

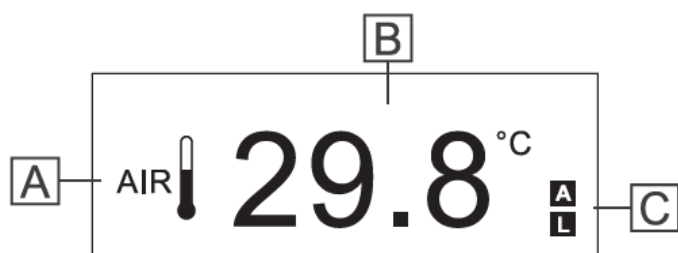
When powering the device on, the last screen displayed before shutting down, will be shown again.

If the same data is available from more than one source, the received signal priority is the following:

1. Analog sensor
2. NMEA 2000
3. SAE J1939
4. Battery (for power voltage)
5. Self counting (for engine operating hours)

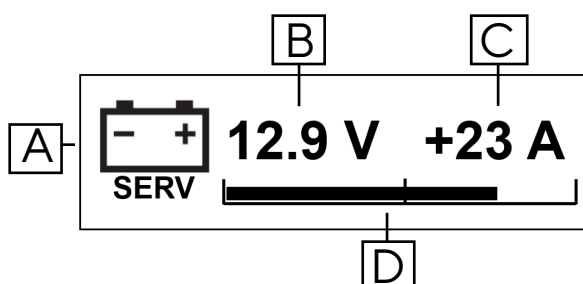
SCREEN LAYOUT

Most data pages follow this layout:



Part	Description
A	Data symbol
B	Current value with relevant unit of measure
C	"AL" indicates that at least one alarm was triggered. The current alarm list is available after the last data page. (see "MANAGING ALARMS")

The only data pages looking different from that are the battery monitoring screens. There are two of those screens available. One for the starter battery and the other one for a service battery.



This battery monitoring data pages contain of the following items:

Part	Description
A	Data symbol (with "SERV" for service battery and "START" for starter battery)
B	Battery Voltage
C	Current flow (negative, if power is drawn from the battery, positive if the battery is being charged)
D	Bar graph representing the state of charge (SOC).

BRIGHTNESS AND CONTRAST








The brightness and contrast of the display can be adjusted.
By changing the displays brightness, also the backlight intensity of the dial gets adapted.



1. On any data page, press and hold the button until “LIGHT” is displayed.
2. Adjust brightness by briefly pressing the button several times.
(Only possible if illumination (Term. 58 – Pin 10) is activated.)
3. To confirm press and hold the pushbutton until the bar blinks and “CONTRAST” is being displayed.
4. Adjust contrast by briefly pressing the button several times.
5. To confirm press and hold the pushbutton until the bar blinks and the display returns to the normal operating mode.

DISPLAYABLE DATATYPES

Icon	Information	Input Signal			Output Signal		Unit
		NMEA	J1939	Analog	NMEA	EasyLink	
	Total engine operating hours	x	x	x	x	-	h
	Engine coolant temperature	x	x	-	x	x	°C, °F
	Engine coolant pressure	x	x	-	x	-	bar, psi, kPa
	Transmission oil temperature	x	x	-	x	-	bar, psi, kPa
	Transmission oil pressure	x	x	-	x	x	bar, psi, kPa
	Engine oil temperature	x	x	-	x	x	°C, °F
	Engine oil pressure	x	x	-	x	x	bar, psi, kPa
	Engine oil level	-	x	-	-	-	%
	Boost pressure	x	x	-	x	x	bar, psi, kPa
	Exhaust gas temperature	x	x	-	x	x	°C, °F
	Engine rpm	x	x	x	x	-	rpm
	Fuel consumption	x	-	-	-	-	gal/h, L/h
	Fuel level	x	x	x	x	x	%
	Fresh water level	x	-	x	x	x	%
	Waste water level	x	-	-	x	x	%
	Battery voltage*	x	x	x	x	x	V
	Battery current*	x	x	-	x	x	A
SOC	Battery state of charge*	x	-	-	-	-	%
SOH	Battery state of health	x	-	-	-	-	%
AUTO	Battery autonomy	x	-	-	-	-	days, hours
TEMP	Battery temperature	x	-	-	-	-	°C, °F
	Speed through water (STW)	x	-	-	-	-	mph, kn, km/h

Icon	Information	Input Signal			Output Signal		DISPLAY
		NMEA	J1939	Analog	NMEA	EasyLink	Unit
	Speed over ground (SOG)	x	-	-	-	-	mph, kn, km/h
HDG	Magnetic heading	x	-	-	-	-	°M
COG	Course over ground (COG)	x	-	-	-	-	°T (true North)
	Depth below transducer	x	-	-	-	-	m, ft
	Trim	x	-	x	x	x	%
	Rudder angle	x	-	x	x	x	°
	Room temperature	x	-	-	-	-	°C, °F
	Sea water temperature	x	-	-	-	-	°C, °F
	Time	x	-	-	-	-	12h, 24h

*Values can also be displayed on combined “battery monitoring screen”.

SETTINGS MENU

MENU STRUCTURE

Submenu	Description	Possible values/commands
Units	Select the measurement units for the different types of measurements.	Speed: km/h, mph, kn Temperature: °C, °F Pressure: bar, PSI, kPa Volumes: L, gal Depth: m, ft
Engine instance	Define, which engines data should be displayed on this 85mm master device and the attached 52mm satellites.	0, 1, 2, 3
Battery instance	Define, which batteries data should be displayed on this 85mm master device and the attached 52mm satellites.	0, 1, 2, 3
Analog inputs	Define, what kind of sensor is connected to the analog inputs and calibrate those inputs with either a sensor curve for the resistive inputs or a "number of pulses per engine revolution" for the frequency input.	Resistive Inputs (Pin 8, 9): <ul style="list-style-type: none"> ○ Off ○ Trim ○ Fresh water level ○ Fuel level ○ Rudder angle ○ Engine oil pressure ○ Transmission oil pressure ○ Boost pressure (turbo) ○ Engine coolant temperature ○ Engine oil temperature <p>Define sensor curve (select standard curve or follow the onscreen instructions to make a 3 point call)</p> Frequency Input (Pin 4): Off, On (define pulses per revolution)
Depth	Value to be added/subtracted from the depth to compensate for the transducer position compared to the waterline or keel	From -99.9 to + 99.9
Wind	Define your settings for the wind damping and choose an offset for the case, that the sensor installation is not aligned with the direction of the boat.	Damping: None, Low, Med, High Offset: -180° / +180°
Clock	Offset to add on the GPS-received time (Time zone/ UTC offset) and time format.	Time zone: -12h / + 12h Time format: 12h / 24h
Screens ON/OFF	Which data screens should be displayable on the LCD. Choose "YES" to display and "NO" to hide them.	See section "Display – Displayable Datatypes"

Submenu	Description	Possible values/commands
Alarms	Which alarms from NMEA should be displayable on the screen and should trigger the external buzzer?	See section "List of Local Alarms"
Simulator Mode	Display shows some random, moving data to demonstrate the function of the gauge when activated	Yes (activated) No (deactivated)
Exit Settings	Exit the Settings menu	Yes No

USING THE SETTINGS MENU

To...	Then...
open the settings menu	turn on the device while holding down the push button until "SETTINGS" appears on the screen. After that you will see the first field "Config. Units".
scroll through the different options	briefly press the button.
confirm the value or command and move to the next step in the menu	hold down the button until the value or command blinks once.
move through the menu.	answer every question with "NO" until you reach the submenu you are looking for. <i>Note: The settings can only be scrolled forward. To go back you have to click through the hole menu or exit and then enter again.</i>
exit the menu	select the setting "EXIT SETTINGS" and confirm with "YES".

Example procedure

Following is the procedure to set **Engine instance = 3**

1. Turn on the device while holding down the button until "Settings" appears: the "Configure Units" setting appears first.
2. Push and hold down the button until NO blinks once to scroll to the next submenu: the "CONFIG ENGINE INSTANCE" setting appears.
3. Briefly press the button to view YES, then hold it down until YES blinks once: the Engine instance setting appears with the current value.
4. Briefly press the button to scroll values until 3 is displayed.
5. Hold down the button until it blinks once: the Config analog inputs setting appears.
6. Exit the menu by scrolling to the last submenu called "Exit the Menu". Confirm this with YES and you will get back to the normal data pages.

CONFIGURE A SENSOR INPUT

Open the "Analog Input Configurations" in the settings menu and select the input you want to configure. (See chapter "Using the Settings Menu") Choose the sensor type that is connected to the according pin and define the sensor curve.

Depending on the sensor type, you can either select from some standard sensor curves or you can make a custom 3-point call.

To configure the personalized sensor curve, follow the instructions on the display. It will ask you to fill your tank to a certain level / put the engine or rudder in a defined position and then ask you to confirm that it should save the currently measured resistive value.

For the frequency input one has only to define the number of pulses the sensor delivers per engine revolution. Note the transmission ration between engine and alternator, when using that as a input source.

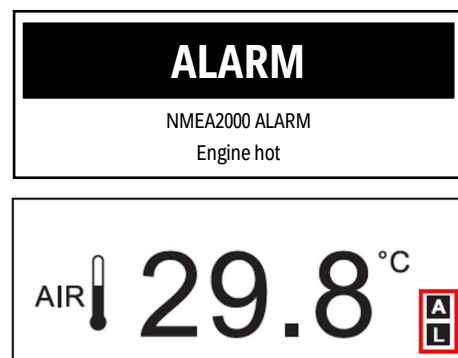
ALARMS

ALARM SIGNAL

When an alarm is triggered, "New alarm" briefly appears on the display followed by the specific alarm message and buzzer (if connected). The message remains on the screen and the buzzer sounds until the alarm is acknowledged.

Note: *alarms are not signaled when setting up the device.*

If, after acknowledgment, at least one alarm is still active, "AL" blinks in the data pages.



For more information on how to connect an external buzzer see section "External Buzzer Connection (B1)" in the chapter "Electrical Installation" of this document.

MANAGING ALARMS

1. To acknowledge an alarm, briefly press the button: if other alarms were triggered (new or already acknowledged), the next alarm message appears.
2. To scroll alarms, briefly press the button: "Exit alarms" appears after the last alarm in the list.
3. To scroll the alarm list again, select NO. To exit the alarm list, select YES: the data page displayed before the new alarm was triggered appears.
4. To see the alarm list again, scroll all data pages until "Alarm" appears and hold down the button for 3 seconds.

CONFIGURE LOCAL ALARMS

1. Open the "Settings Menu" and move to the submenu "Configure Alarms". (See chapter "Settings Menu")
2. Klick through the available alarms until you find the one, you want to activate.
3. Push the button briefly to change the YES or NO. Select YES to enable the alarm and NO to disable it. Hold the button down to confirm.
4. Set the threshold at which the alarm should be triggered.
5. Define, whether the buzzer should be triggered, when this alarm occurs or whether only the warning on the display should be indicated. Hold the button down again to confirm.
6. Klick through all the alarms to exit the alarms menu and then scroll through the remaining submenus to exit the settings menu.

MINIMUM RPM

The default value for minimum RPM is 300. This value can be changed in the alarm settings.

If the engine is below this range, certain alarms are not triggered. This prevents the misleading occurring of alarms during the start up of the engine. Also, the engine hours are only counted while the engine speed exceeds this value.

LIST OF LOCAL ALARMS

Alarm	Possible values	Triggered above or below threshold	NMEA2000-output
Depth shallow	0 - 9.9 m	below	No
Low voltage	0-31.9 V	below	Yes
Low SOC	0 - 99 %	below	No
Battery Temperature High	0 - 99 °C	above	No
Exhaust gas temp	0 - 999 °C	above	No
Engine coolant temperature	0 - 139 °C	above	Yes
Engine oil temperature	0 - 149 °C	above	Yes
Engine oil pressure	0 - 9.9 bar	below	Yes
Fuel level	0 - 99 %	below	No
Fresh water level	0 - 99 %	below	No
Waste water level	0 - 99 %	above	No
min RPM	0 - 999 RPM	-	-

LIST OF MANAGED CAN BUS ALARMS

NMEA2000 - Engine Parameters, Dynamic (PGN 127489)

- Check engine
- Hot engine
- Low oil pressure
- Low oil level
- Low fuel pressure
- Low voltage
- Low cool level
- Water flow
- Water in fuel
- Charge indicator
- Preheat indicator
- Boost pressure
- Over rev
- EGR system
- Main throttle
- Emergency stop
- General warn 1
- General warn 2
- Power reduction
- Maintenance
- Engine com error
- Sub throttle
- Neutral protection
- Engine shut down

NMEA2000 - Transmission Parameters, Dynamic (PGN 127493)

- Check gear
- Gear oil temperature
- Gear oil pressure
- Gear oil level
- Sail drive

SAE J1939 - Active Diagnostic Trouble Codes (DM1)

- Water in fuel indication
- Engine speed
- Engine turbocharger boost pressure
- Exhaust gas temperature
- Engine oil pressure
- Engine coolant pressure
- Engine coolant temperature
- Engine oil temperature
- Transmission oil temperature
- Transmission oil pressure
- Fuel Level

TROUBLESHOOTING

DISPLAY PROBLEMS

Problem	Cause	Solution
The displayed values are not those expected	Incorrect sensor configuration	Check parameter settings in the settings menu, in Config analog inputs
	Incorrectly connected sensor	Check the connection, see installation instructions
	The NMEA 2000 network backbone was incorrectly created	Check connections and make sure there is a termination at the beginning and end of the backbone
"----" and not the expected value appears on the display	Data not available on the network	Wait
	Sensor not connected	Connect the sensor, see installation instructions
	The NMEA 2000 network backbone was incorrectly created	Check connections and make sure there is a termination at the beginning and end of the backbone

PROBLEMS ON CONNECTED 52MM GAUGES

Problem	Cause	Solution
The gauges backlight works, but the pointer does not move	Data not received from master	Check whether the 52 mm gauge is compatible with the master
The pointer does not move and the gauge is not backlit	Master not powered	Check master connections Connect the power supply
	No 52 mm chain gauge is connected to the master	Connect a 52 mm gauge to the master

TECHNICAL DATA

Nominal Voltage	12 V / 24 V
Operating Voltage	9 – 32 V with overvoltage and reverse polarity protection
Current consumption	< 100 mA (@12V)
Absorption (LEN)	2
Protection class	IP 65
Lens	PMMA double lens
Housing	Ø85 mm – Polycarbonate (PC)
Installation depth	75 mm
Bezels	PC (black, white) or ABS (chrome)
Dial	Backlit, different colors (black, white)
Pointer	Backlit, white on black dials; red on white dials 90° and 270° deflection angle
Illumination	Dial: LED amber (605 nm) Pointer: LED red (632 nm)
Operating temperature	-20°C to +70°C
Storage temperature	-35°C to +85°C with chrome bezel -30°C to +70°C
Flammability	flame retardant acc. UL94-V0
Connectors	Molex MX-150 12Pin (With EasyLink Connector built in the pigtail cable) NMEA2000 Micro-C M12
Mounting	Spinlock Nut – locking height 0.5 – 20 mm Optional Studs and Brackets – locking height 2 – 15 mm
Compliance	CE, UKCA, Reach, RoHS

ACCESSORIES

Description	Part Number
Power and Data cable - OL 85mm	A2C1433330001
EasyLink extension cable	A2C59500139
Spinlock 85mm	A2C1376090001
Bezel 85mm - Chrome	A2C1141580001
Bezel 85mm - Black	A2C1111380001
Bezel 85mm - White	A2C1352140001

Visit <http://www.veratron.com> for the complete list of accessories.

VARIANTS

Variant Description	Part Number
OL GPS Speedometer 85mm - 14 kn, km/h, mph Black	A2C1351970001
OL GPS Speedometer 85mm - 14 kn, km/h, mph White	A2C1352010001
OL GPS Speedometer 85mm - 35 kn, km/h, mph Black	A2C1351980001
OL GPS Speedometer 85mm - 35 kn, km/h, mph White	A2C1352080001
OL GPS Speedometer 85mm - 70 kn, km/h, mph Black	A2C1351990001
OL GPS Speedometer 85mm - 70 kn, km/h, mph White	A2C1352090001
OL Tachometer 85mm - 3'000 RPM Black	A2C1065660001
OL Tachometer 85mm - 3'000 RPM White	A2C1065670001
OL Tachometer 85mm - 5'000 RPM Black	A2C1065720001
OL Tachometer 85mm - 5'000 RPM White	A2C1065800001
OL Tachometer 85mm - 7'000 RPM Black	A2C1065810001
OL Tachometer 85mm - 7'000 RPM White	A2C1065820001



veratron AG
Industriestrasse 18
9464 Rüthi, Switzerland

T +41 71 7679 111
info@veratron.com
veratron.com

Any distribution, translation or reproduction, partial or total, of the document is strictly prohibited unless with prior authorization in writing from veratron AG, except for the following actions:

Printing the document in its original format, totally or partially.
Copying contents without any modifications and stating veratron AG as copyright owner.

Veratron AG reserves the right to make modifications or improvements to the relative documentation without notice.

Requests for authorization, additional copies of this manual or technical information on the latter, must be addressed to veratron AG.

OCEANLINK 85MM MASTER-GERÄTE

DREHZAHL- & GESCHWINDIGKEITSANZEIGE

BEDIENUNGSANLEITUNG
rev. AD



EN

DE

IT

FR

ES

PT

INHALT

EINFÜHRUNG	3
Verpackungsinhalt	3
Beschreibung.....	3
SICHERHEITSHINWEISE	4
MECHANISCHE INSTALLATION.....	7
Einbau mit Spinlock-Mutter	7
Bündige Montage.....	7
ELEKTRISCHE INSTALLATION	8
Pinbelegung	8
Elektrischer Schaltplan.....	9
Analoger Sensoranschluss (RES 1, RES 2, RPM).....	9
Anschluss eines externen Buzzers (B1).....	9
Beleuchtungsschalter (S1).....	10
Anschluss an das NMEA 2000®-Netzwerk.....	10
Verbindung zu EasyLink-Satelliten.....	10
Anschluss an SAE J1939.....	11
BILDSCHIRM.....	12
Bildschirmaufbau	12
Helligkeit und Kontrast.....	13
Verfügbare Datentypen.....	13
EINSTELLUNGS-MENÜ	15
Menüstruktur	15
Verwenden des Einstellungs-Menüs	16
Konfigurieren eines Sensoreingangs.....	17
ALARME	18
Alarmsignal.....	18
Verwalten von Alarmen.....	18
Lokale Alarme konfigurieren	18
Mindest-Drehzahl.....	19
Liste der lokalen Alarme	19
Liste der verwalteten CAN-Bus-Alarme.....	20
FEHLERSUCHE	21
Display-Probleme	21
Probleme mit angeschlossenen 52-mm-Messgeräten.....	21
TECHNISCHE DATEN.....	22
ZUBEHÖR	23
VARIANTEN	23

EINFÜHRUNG

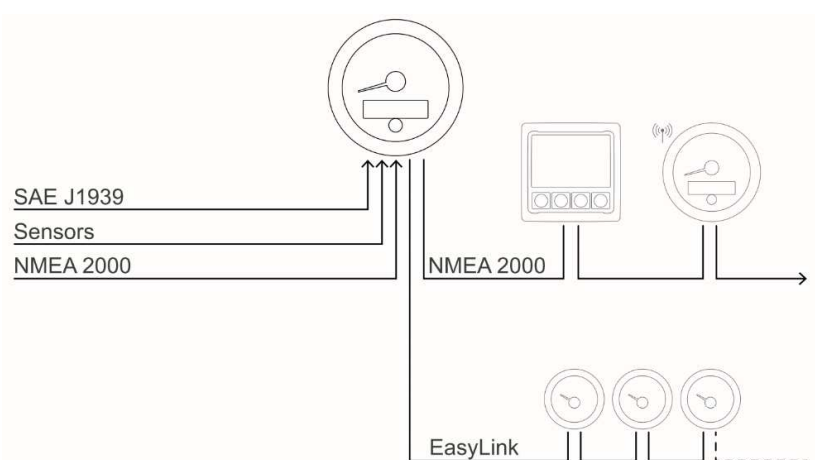
VERPACKUNGSIHALT

Artikel	Teilenummer
1x OceanLink 85mm Master-Geräte	abhängig von Messgerätetyp, Farbe und Skalenbereich (Siehe Abschnitt "VARIANTEN")
1x Spinlock	A2C1376090001
1x Pigtail-Kabel	A2C1433330001
1x Sicherheitshinweise	B000100

BESCHREIBUNG

Neben dem Anzeigen der Drehzahl / (GPS-)Geschwindigkeit stellt das OceanLink® Master Gerät auch automatisch alle wichtigen Daten - vom Öldruck über den Kraftstoffverbrauch bis hin zu den Betriebsstunden - auf einer grosszügigen, invertierten Punktmatrix-Digitalanzeige dar.

Neben einer zertifizierten NMEA 2000®- und einer SAE J1939 CAN-Bus-Schnittstelle verfügt es über zwei Eingänge für analoge Sensoren. Die innovative EasyLink-Datenverbindung macht die Installation einfach und kostengünstig.



OceanLink® ist in verschiedenen Designs und mit einer Reihe von Farboptionen für die Blende erhältlich. Die Instrumente können bequem in kundenspezifische Panellösungen integriert werden.

Das OceanLink Master-Gerät zeigt alle wichtigen motorbezogenen Daten an und verteilt sie an bis zu 16 52-mm-Satellitengeräte. Es hat auch die Funktion eines NMEA 2000-Gatways. Die Informationen, welche die Analog-Eingänge messen, die SAE J1939-Schnittstelle empfängt oder intern ausgelöste Alarmer, werden somit an das NMEA-Netzwerk gesendet und sind für alle anderen Geräte verfügbar.

SICHERHEITSHINWEISE

WARNUNG

- Nicht rauchen! Kein offenes Feuer oder Wärmequellen!
- Das Produkt wurde unter Beachtung der grundlegenden Sicherheitsanforderungen der EG-Richtlinien und dem anerkannten Stand der Technik entwickelt, gefertigt und geprüft.
- Das Gerät ist für den Einsatz in der Sportschiffahrt konzipiert.
- Das Gerät ist für den Einsatz in erdgebundenen Fahrzeugen und Maschinen sowie den Einsatz in der Sportschiffahrt, inklusive der nicht klassifizierten Berufsschiffahrt bestimmt.
- Setzen Sie unser Produkt nur bestimmungsgemäss ein. Die Folgen einer nicht bestimmungsgemässen Verwendung des Produktes können Personenschäden sowie Sachschäden oder Umweltschäden sein. Informieren Sie sich vor dem Einbau anhand der Fahrzeug-Papiere über den Fahrzeugtyp und über eventuelle Besonderheiten!
- Informieren Sie sich anhand von Bauplänen über die Lage von Kraftstoff- /Hydraulik- /Druckluft und elektrischen Leitungen!
- Beachten Sie eventuelle Veränderungen am Fahrzeug, die beim Einbau zu berücksichtigen sind!
- Für den Einbau sind Grundkenntnisse der Kfz/Schiffbau-Elektrik und -Mechanik erforderlich, um Personenschäden, Sachschäden oder Umweltschäden zu vermeiden.
- Stellen Sie sicher, dass kein unbeabsichtigter Motorstart während des Einbaus ausgeführt werden kann!
- Veränderungen oder Manipulationen am Veratronprodukt können die Sicherheit beeinflussen. Es darf deshalb nicht verändert oder manipuliert werden!
- Beim Aus-/Einbau von Sitzen, Abdeckungen o. ä. darauf achten, dass Sie keine Leitungen beschädigen oder Steckverbindungen lösen!
- Alle Daten von anderen installierten Geräten mit flüchtigen elektronischen Speichern notieren.

WÄHREND DES EINBAUS BEACHTEN

- Achten Sie beim Einbau darauf, dass die Komponenten des Produkts die Fahrzeugfunktionen nicht beeinflussen oder behindern und selbst nicht beschädigt werden!
- Bauen Sie nur unbeschädigte Teile in ein Fahrzeug ein!
- Achten Sie beim Einbau darauf, dass durch das Produkt der Sichtbereich nicht beeinträchtigt wird und das Produkt nicht im Kopfaufschlagbereich des Fahrers und Beifahrers positioniert wird!
- Den Einbau des Produktes sollten Sie von einem darauf spezialisierten Fachmann ausführen lassen. Wenn Sie den Einbau selbst vornehmen, tragen Sie geeignete Arbeitskleidung. Tragen Sie keine weite Kleidung. Sie kann von beweglichen Teilen erfasst werden. Tragen Sie bei langen Haaren ein Haarnetz. Bei Arbeiten an der Bordelektrik keinen metallischen oder leitfähigen Schmuck wie Ketten, Armbänder, Ringe etc. tragen.
- Falls notwendige Arbeiten am laufenden Motor erforderlich sind, besondere Vorsicht walten lassen. Tragen Sie nur entsprechende Arbeitskleidung, da Verletzungsgefahr durch Quetschungen und Verbrennungen besteht. Vor Beginn der Arbeiten ist der Minuspol der Batterie abzuklemmen, da sonst Kurzschlussgefahr besteht. Wenn das Fahrzeug über Zusatzbatterien verfügt, müssen ggf. auch die Minuspole dieser Batterien abgeklemmt werden! Kurzschlüsse können Kabelbrände, Batterieexplosionen und Beschädigungen von anderen elektronischen Systemen verursachen. Bitte beachten Sie, dass beim Abklemmen der Batterie alle flüchtigen elektronischen Speicher ihre eingegebenen Werte verlieren und neu programmiert werden müssen.

SICHERHEITSHINWEISE

- Lassen Sie bei Bootsmotoren vor Beginn der Arbeiten im Motorraum bei Benzinmotoren den Motorraumlüfter laufen.
- Achten Sie auf den Verlauf von Leitungen oder Kabelsträngen, um diese bei Bohr- und Sägearbeiten nicht zu beschädigen!
- Den Einbauort nicht im mechanischen und elektrischen Airbag-Bereich wählen!
- Bohrungen und Einbauöffnungen nicht in tragende oder stabilisierende Streben oder Holme anbringen!
- Bei Arbeiten unter dem Fahrzeug, dieses nach Vorschrift des Fahrzeugherstellers sichern.
- Beim Einbauort auf den nötigen Freiraum hinter den Bohrungen oder der Einbauöffnung achten. Notwendige Einbautiefe 65 mm.
- Einbauöffnungen klein vorbohren, mit Konusfräser, Loch-, Stichsäge oder Feile gegebenenfalls vergrößern und fertig stellen. Kanten entgraten. Unbedingt die Sicherheitshinweise der Handwerkzeughersteller beachten.
- Bei notwendigen Arbeiten ohne Spannungsunterbrechung darf nur mit isoliertem Werkzeug gearbeitet werden.
- Benutzen Sie zum Messen von Spannungen und Strömen im Fahrzeug/ Maschine bzw. Schiff nur dafür vorgesehene Multimeter oder Diodenprüflampen. Die Benutzung herkömmlicher Prüflampen kann die Beschädigung von Steuergeräten oder anderer elektronischer Systeme zur Folge haben.
- Die elektrischen Ausgänge des Anzeigegerätes und daran angeschlossene Kabel müssen vor direkter Berührung und Beschädigung geschützt werden. Dazu müssen die verwendeten Kabel eine ausreichende Isolation bzw. Spannungsfestigkeit besitzen und die Kontaktstellen berührungssicher sein.
- Auch die elektrisch leitenden Teile der angeschlossenen Verbraucher sind durch entsprechende Massnahmen vor direkter Berührung zu schützen. Das Verlegen metallisch blanker Kabel und Kontakte ist nicht zulässig.

NACH DEM EINBAU BEACHTEN

- Massekabel an den Minuspol der Batterie fest anklemmen.
- Werte der flüchtigen elektronischen Speicher neu eingeben/programmieren.
- Prüfen Sie alle Funktionen.
- Zur Reinigung der Komponenten nur klares Wasser verwenden. IP-Schutzarten (IEC 60529) beachten.

ELEKTRISCHER ANSCHLUSS

- Kabelquerschnitt beachten!
- Eine Verringerung des Kabelquerschnitts führt zu einer höheren Stromdichte. Dies kann zu einer Erhitzung des betreffenden Kabelabschnitts führen!
- Bei der elektrischen Kabelverlegung benutzen Sie vorhandene Kabelkanäle und Kabelstränge, führen Sie die Kabel jedoch nicht parallel zu Zündkabeln oder parallel zu Kabeln, die zu grossen Stromverbrauchern führen.
- Fixieren Sie die Kabel mit Kabelbindern oder Klebeband. Führen Sie die Kabel nicht über bewegliche Teile. Kabel nicht an der Lenksäule befestigen!
- Achten Sie darauf, dass die Kabel keinen Zug-, Druck- oder Scherkräften ausgesetzt sind.
- Wenn die Kabel durch Bohrungen geführt werden, schützen Sie die Kabel mittels Gummitüllen oder ähnlichem.
- Benutzen Sie zum Abisolieren der Kabel nur eine Abisolierzange. Stellen Sie die Zange so ein, dass keine Litzen beschädigt oder abgetrennt werden.
- Verlöten Sie neu zu schaffende Kabelverbindungen nur im Weichlötverfahren oder verwenden Sie handelsübliche Quetschverbinder!
- Nehmen Sie Quetschverbindungen nur mit einer Kabelquetschzange vor. Achten Sie auf die Sicherheitshinweise der Handwerkzeughersteller.
- Isolieren Sie freigelegte Litzen so, dass keine Kurzschlüsse entstehen können.
- **Achtung:** Kurzschlussgefahr durch fehlerhafte Verbindungsstellen oder beschädigte Kabel.

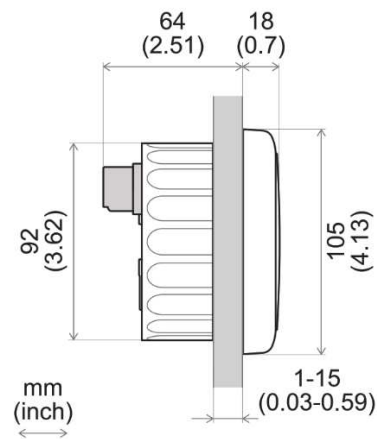
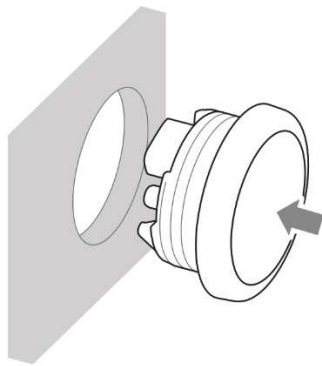
- Kurzschlüsse im Bordnetz können Kabelbrände, Batterieexplosionen und Beschädigungen anderer elektronischer Systeme verursachen. Deshalb müssen alle Verbindungen der Spannungsversorgung mit verschweisbaren Stossverbindern versehen und ausreichend isoliert sein.
- Achten Sie besonders auf einwandfreie Masseverbindungen.
- Falschanschlüsse können zu Kurzschlüssen führen. Schliessen Sie die Kabel nur entsprechend dem elektrischen Anschlussplan an.
- Bei Betrieb des Gerätes an Netzteilen beachten Sie, dass das Netzteil stabilisiert sein muss und den folgenden Normen entsprechen muss: DIN EN 61000- Teil 6-1 bis 6-4.

MECHANISCHE INSTALLATION

EINBAU MIT SPINLOCK-MUTTER

Für Paneele mit 1 – 15mm Dicke

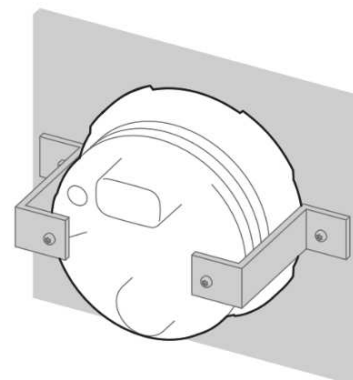
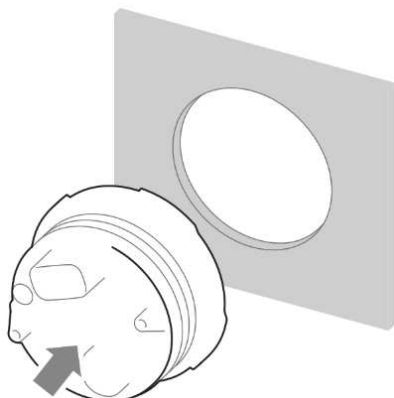
1. Ein rundes Lock mit 86mm Durchmesser in die Platte einarbeiten.
2. Die Spinlock-Mutter entfernen und das Gerät von vorne in das Loch einsetzen.
3. Das Spinlock entsprechend der Dicke des Panels ausrichten.
4. Das Spinlock soll von Hand vorsichtig angezogen werden. Mindestens zwei Umdrehungen.
5. Den Stecker an das Gerät anschliessen



BÜNDIGE MONTAGE

Für Paneele mit 1.5 – 3mm Dicke

1. Ein rundes Lock mit 83.5mm Durchmesser in die Platte einarbeiten.
2. Spinlock-Mutter entfernen
3. Die Blende mit einer Zange entfernen.
Hinweis: Die Blende kann nach dem Ausbau nicht mehr verwendet werden, da sie beschädigt werden könnte.
4. Das Instrument von hinten in das Bohrloch einsetzen.
5. Gerät gerade ausrichten und von der Rückseite aus befestigen.
6. Den Stecker and das Gerät anschliessen.



ELEKTRISCHE INSTALLATION

PINBELEGUNG

⚠️ WARNUNG

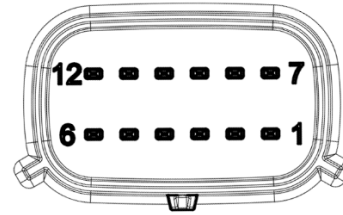
- Beachten Sie die Sicherheitsvorschriften, die im Abschnitt "Elektrische Anschlüsse" des Kapitels "Sicherheitshinweise" in diesem Dokument beschrieben sind!

Stecken Sie das Kabel je nach Konfiguration entsprechend der folgenden Anschlussbelegung in das 12-polige Kontaktgehäuse.

Die Kontakte müssen hörbar einrasten.

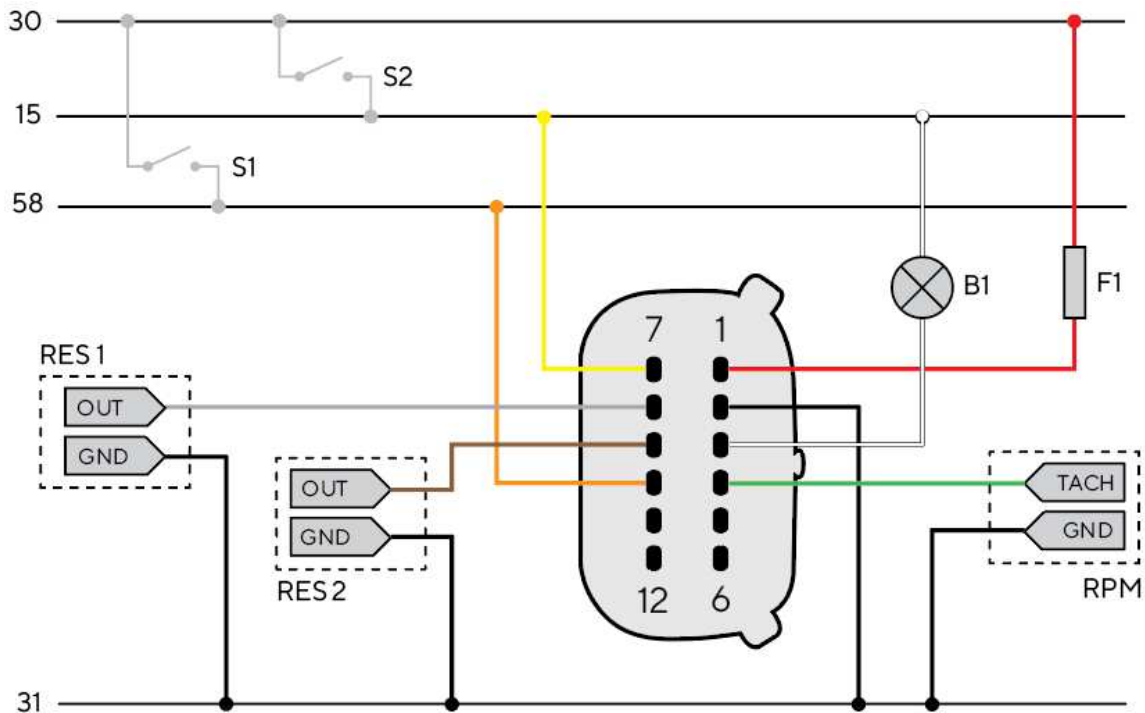
Stecken Sie nun den Stecker in das Messgerät.

Beachten Sie dabei die Schutznasen mit umgekehrter Polarität.



Pin Nr.	Farbe des Kabels	Beschreibung
1	Rot	Kl. 30 - Versorgungsspannung (12V/24V)
2	Schwarz	Kl. 31 - Masse
3	Weiss	Alarmausgang (max. 500 mA, Open Collector)
4	Grün	Eingang - Drehzahlsensor
5	Blau	SAE J1939 - CAN Low
6	Blau/Weiss	SAE J1939 - CAN High
7	Gelb	Kl. 15 - Zündung plus
8	Gray	Eingang - Sensor 1 (0-400 Ohm)
9	Braun	Eingang - Sensor 2 (0-400 Ohm)
10	Orange	Kl. 58 - Beleuchtung
11	Rot	EasyLink Power (führt zum 3-poligen Stecker)
12	Gelb	EasyLink Signal (führt zum 3-poligen Stecker)

ELEKTRISCHER SCHALTPLAN

**Bezeichnungen im Schaltplan:**

30 - Kl. 30 - Versorgungsspannung 12V

15 - Kl. 15 - Zündung positiv

31 - Kl. 31 - Masse

58 - Kl. 58 - Beleuchtungssignal (12V)

S1 - Tag/Nacht-Schalter (nicht enthalten)

S2 - Zündschlüssel

F1 - 3A-Sicherung (nicht enthalten)

B1 - Externer Buzzer (nicht enthalten)

RES 1 - Resistiver Analogeingang 1

RES 2 - Resistiver Analogeingang 2

RPM - Frequenz Analogeingang

ANALOGER SENSORANSCHLUSS (RES 1, RES 2, RPM)

Jeder Sensor, der an einen Analogeingang (RES 1, RES 2, RPM) des 85mm-Geräts angeschlossen ist, muss wie in der Abbildung gezeigt angeschlossen werden.

Es ist ratsam, Sensoren mit isolierter Masse zu verwenden, und es muss sichergestellt werden, dass die Masse des Sensors mit der Masse des Master-Gerätes verbunden ist, um falsche Messwerte zu verhindern.

ANSCHLUSS EINES EXTERNEN BUZZERS (B1)

Das OceanLink-Gerät unterstützt den Anschluss eines externen Buzzers/ Alarms (B1) über den vorgesehenen Alarmausgang.

Dieser Buzzer kann mit verschiedenen Spannungen betrieben werden (siehe Datenblatt des Buzzers), da der Alarmausgang im inneren des Tachos/Drehzahlzeigers die Verbindung gegen Masse schliesst (Open Collector Ausgang).

Der Strom von 500mA soll nicht überschritten werden.

BELEUCHTUNGSSCHALTER (S1)

Um die Hintergrundbeleuchtung ein- oder auszuschalten, fügen Sie einen externen Schalter (S1) zur Stromversorgung hinzu (Klemme. 30), oder verwenden Sie das Lichtsignal an Bord (Klemme. 58), falls ein solches vorhanden ist.

ANSCHLUSS AN DAS NMEA 2000®-NETZWERK

Sobald die Installation abgeschlossen ist, können Sie das Gerät über die entsprechende Buchse am Kabelbaum an das NMEA 2000®-Netzwerk anschließen.

Achten Sie darauf, dass Sie den M12-Stecker fest auf sein Gegenstück schrauben, da die Wasserdichte sonst nicht gewährleistet ist.

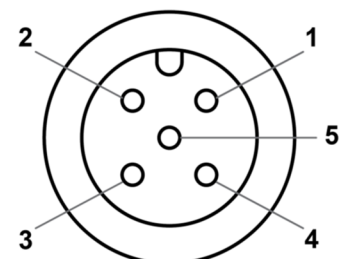
Die Gesamtlänge der Verbindung kann mit einem der als Zubehör erhältlichen Verbindungskabel verlängert werden. Bitte beachten Sie, dass NMEA 2000® keine Drop-Kabel von mehr als 6 Metern Länge zulässt.

Beachten Sie den NMEA 2000® -Standard für den richtigen Aufbau des Netzwerks.



NMEA 2000®-STECKER

Pin Nr.	Beschreibung
1	Abschirmung
2	NET-S (V+)
3	NET-C (V-)
4	NET-H (CAN High)
5	NET-L (CAN Low)



Micro-C M12 5-Pol-Stecker
Stecker, Kabelseite

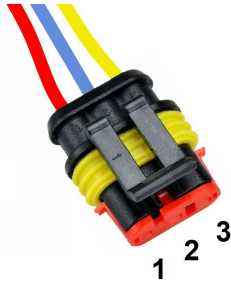
VERBINDUNG ZU EASYLINK-SATELLITEN

Die OceanLink 85mm Drehzahlmesser und Geschwindigkeitsmesser können als Hauptmessgerät für einige andere 52mm OceanLink Satellitenmessgeräte verwendet werden. Diese Satelliten müssen alle in einer einzigen Reihe (Daisy Chain) angeschlossen werden. Der Master liefert dann die Informationen, die er über NMEA2000, SAE J1939, GPS oder über seine eigenen analogen Eingänge erhält, an die Geräte in der Verkettung.

Dieses Bussystem wird EasyLink genannt. Es erlaubt bis zu 16 Satelliten in einer Reihe und eine Gesamtlänge von maximal 20 Metern.

EASYLINK-ANSCHLUSS

Pin Nr.	Farbe des Kabels	Beschreibung
1	Rot	12V Versorgungsspannung
2	Blau	Masse
3	Gelb	EasyLink-Daten



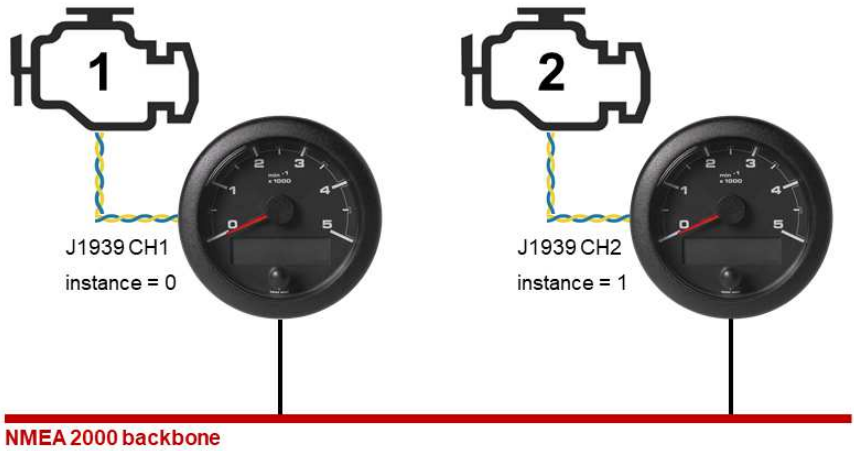
AMP SuperSeal 1.5 3-Pol-Stecker Buchse, Kabelansicht

ANSCHLUSS AN SAE J1939

Der OceanLink Master ist mit einem SAE J1939-Anschluss ausgestattet, um Ihren CAN-Motor mit dem Gerät zu verbinden und die von ihm kommenden digitalen Daten anzuzeigen.

Stellen Sie sicher, dass das J1939-Gateway richtig eingerichtet ist, damit alle Motordaten dann mit der richtigen Instanz an das NMEA 2000 Netzwerk übertragen wird.

Beachten Sie, dass die Instanz-Nummern bei null beginnen. Daher erhält Motor 1 die Instanz 0, Motor 2 die Instanz 1 und so weiter.



BILDSCHIRM

Der Bildschirm kann eine Vielzahl von verschiedenen Motor-, Batterie- und Schiffsdaten anzeigen. Um durch die verschiedenen Seiten mit den unterschiedlichen Werten zu blättern, drücken Sie kurz die Drucktaste.

Standardmässig sind alle möglichen Datenseiten aktiviert. Um auszuwählen, welche angezeigt und welche ausgeblendet werden sollen, gehen Sie in das Untermenü "Screens On/Off" im Settings Menu. (Siehe Kapitel "Settings Menu" in diesem Dokument)

Wenn Alarme aktiv sind, erscheint eine zusätzliche Seite mit Informationen über die aktuellen Alarme. Ausserdem wird auf jeder Datenseite ein Symbol mit "AL" angezeigt.

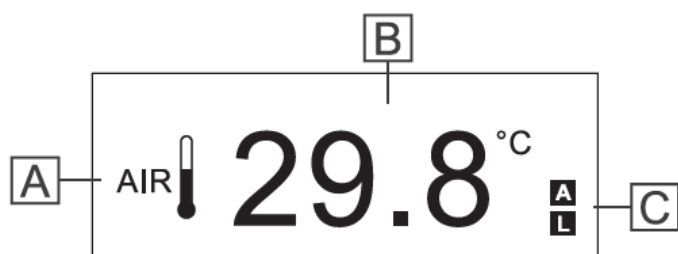
Beim Einschalten des Geräts wird der zuletzt vor dem Ausschalten aktive Bildschirm wieder angezeigt.

Wenn dieselben Daten von mehr als einer Quelle verfügbar sind, werden die Prioritäten folgendermassen eingeordnet.

1. Analoger Sensor
2. NMEA 2000
3. SAE J1939
4. Batterie (für Versorgungsspannung)
5. Eigene Zählung (Motorbetriebsstunden)

BILDSCHIRMAUFBAU

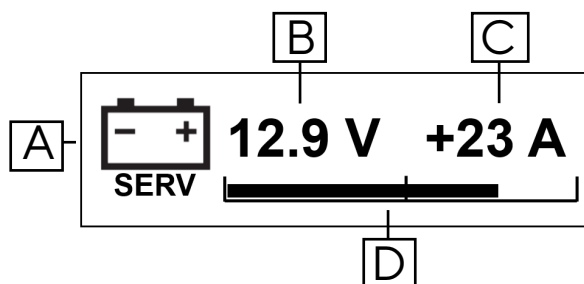
Die meisten Datenseiten folgen diesem Layout:



Teil	Beschreibung
A	Daten-Symbol
B	Aktueller Wert mit entsprechender Masseinheit
C	"AL" zeigt an, dass mindestens ein Alarm ausgelöst wurde. Die aktuelle Alarmliste ist nach der letzten Datenseite zu finden. (siehe "Alarme Verwalten")

Die einzigen Datenseiten, die sich davon unterscheiden, sind die Bildschirme zur Batterieüberwachung. Es sind zwei dieser Bildschirme verfügbar. Eine für die Starterbatterie und die andere für eine Servicebatterie.

Diese Seiten zur Batterieüberwachung enthalten die folgenden Elemente:



Teil	Beschreibung
A	Datensymbol (mit "SERV" für Servicebatterie und "START" für Starterbatterie)
B	Batterie-Spannung
C	Stromfluss (negativ, wenn Strom aus der Batterie gebraucht wird / positiv, wenn die Batterie geladen wird)
D	Balkendiagramm zur Darstellung des Ladezustands (SOC, State of Charge).

HELLIGKEIT UND KONTRAST

Die Helligkeit und der Kontrast des Bildschirms können verstellt werden.




Mit der Helligkeit des Bildschirms wird auch die Hintergrundbeleuchtung des Ziffernblattes angepasst.



1. Auf einer beliebigen Datenseite Taste so lange gedrückt halten, bis die Anzeige «Light» erscheint.
2. Helligkeit durch mehrfaches kurzes Drücken der Taste anpassen.
(Nur möglich, wenn Beleuchtung (KI. 58. - Pin 10) eingeschaltet ist.)
3. Zur Bestätigung Taste so lange gedrückt halten, bis der Balken blinkt und Anzeige «Contrast» erscheint.
4. Kontrast durch mehrfaches kurzes Drücken der Taste anpassen.
5. Zur Bestätigung Taste so lange gedrückt halten, bis der Balken blinkt und der Bildschirm in den normalen Betriebsmodus zurückwechselt.

VERFÜGBARE DATENTYPEN

Icon	Informationen	Eingangssignal			Ausgangssignal		Einheit
		NMEA	J1939	Analog	NMEA	EasyLink	
	Gesamtbetriebsstunden des Motors	x	x	x	x	-	h
	Temperatur des Motorkühlmittels	x	x	-	x	x	°C/°F
	Kühlmitteldruck im Motor	x	x	-	x	-	bar / psi / kPa
	Getriebeöltemperatur	x	x	-	x	-	bar / psi / kPa
	Getriebeöldruck	x	x	-	x	x	bar / psi / kPa
	Motoröltemperatur	x	x	-	x	x	°C/°F
	Motoröldruck	x	x	-	x	x	bar / psi / kPa
	Motorölstand	-	x	-	-	-	%
	Ladedruck	x	x	-	x	x	bar / psi / kPa
	Abgastemperatur	x	x	-	x	x	°C/°F
	Motordrehzahl	x	x	x	x	-	1/min
	Kraftstoffverbrauch	x	-	-	-	-	gal/h, L/h
	Kraftstoffstand	x	x	x	x	x	%
	Frischwasserfüllstand	x	-	x	x	x	%
	Abwasserstand	x	-	-	x	x	%
	Batteriespannung*	x	x	x	x	x	V
	Batteriestrom*	x	x	-	x	x	A
SOC	Ladestand der Batterie* (State of Charge)	x	-	-	-	-	%

Icon	Informationen	Eingangssignal					Ausgangssignal		BILDSCHIRM
		NMEA	J1939	Analog	NMEA	EasyLink	Einheit		
SOH	Gesundheitszustand der Batterie (State of Health)	x	-	-	-	-	%		
AUTO	Autonomie der Batterie	x	-	-	-	-	d, h		
TEMP	Batterietemperatur	x	-	-	-	-	°C / °F		
 STW	Geschwindigkeit zu Wasser (STW, Speed through Water)	x	-	-	-	-	mph / kn oder km/h		
 SOG	Geschwindigkeit über Grund (SOG)	x	-	-	-	-	mph / kn oder km/h		
HDG	Magnetkompass	x	-	-	-	-	°M (magn. Norden)		
COG	Kurs zu Grund (COG)	x	-	-	-	-	°T (wahrer Norden)		
	Wassertiefe	x	-	-	-	-	m / ft		
 TRIM	Motortrimmung	x	-	x	x	x	%		
	Ruderlage	x	-	x	x	x	°		
 AIR	Umgebungstemperatur	x	-	-	-	-	°C / °F		
	Wassertemperatur	x	-	-	-	-	°C / °F		
	Uhrzeit	x	-	-	-	-	12h / 24h		

*Diese Werte können auch auf dem kombinierten "Batterieüberwachungsbildschirm" angezeigt werden.

EINSTELLUNGS-MENÜ

MENÜSTRUKTUR

Untermenü	Beschreibung	Mögliche Werte/Befehle
Masseinheiten (Units)	Wählen Sie die Masseinheiten für die verschiedenen Arten von Messungen.	Geschwindigkeit: km/h, mph, kn Temperatur: °C, °F Druck: bar, PSI, kPa Volumen: L, gal Tiefe: m, ft
Motor-Instanz (Engine Instance)	Legen Sie fest, von welchem Motor die Daten auf diesem 85-mm-Mastergerät und den angeschlossenen 52-mm-Satelliten angezeigt werden sollen.	0, 1, 2, 3
Batterie-Instanz (Battery Instance)	Legen Sie fest, von welcher Batterie die Daten auf diesem 85mm-Mastergerät und den angeschlossenen 52mm-Satelliten angezeigt werden sollen.	0, 1, 2, 3
Analoge Eingänge (Analog Inputs)	Legen Sie fest, welche Art von Sensor an den Analogeingängen angeschlossen ist, und kalibrieren Sie diese Eingänge entweder mit einer Sensorkurve für die Widerstandseingänge oder mit einer "Anzahl von Impulsen pro Motorumdrehung" für den Frequenzeingang.	Resistive Eingänge (Pin 8, 9): <ul style="list-style-type: none"> ○ Aus ○ Motortrimmung ○ Frischwasserfüllstand ○ Kraftstofffüllstand ○ Ruderlage ○ Motoröldruck ○ Getriebeöldruck ○ Ladedruck (Turbo) ○ Kühlflüssigkeitstemperatur ○ Motoröltemperatur <p>Definieren Sie die Sensorkurve (wählen Sie eine Standardkurve oder folgen Sie den Anweisungen auf dem Bildschirm, um eine 3-Punkt-Erfassung zu tätigen)</p> Frequenzeingang (Pin 4): Aus Ein (Impulse pro Umdrehung festlegen)
Tiefe (Depth)	Wert, der von der Wassertiefe zu addieren/subtrahieren ist, um die Sensorposition im Vergleich zur Wasserlinie oder zum Kiel zu kompensieren	Von -99,9 bis + 99,9
Wind (Wind)	Legen Sie Ihre Einstellungen für die Winddämpfung fest und wählen Sie einen Offset für den Fall, dass der Sensor nicht in Fahrtrichtung des Bootes installiert ist.	Dämpfung: Keine, Niedrig, Mittel, Hoch Versatz: -180° / +180°
Uhr (Clock)	Offset, auf die über GPS-empfangene Zeit (Zeitzone/ UTC-Offset) und das Anzeigeformat der Uhrzeit definieren.	Zeitzone: -12h / + 12h Zeitformat: 12h / 24h

Untermenü	Beschreibung	Mögliche Werte/Befehle
Bildschirme EIN/AUS (Screens ON / OFF)	Welche Datenbildschirme sollen auf dem LCD-Display angezeigt werden können? Wählen Sie "YES", um sie anzuzeigen und "NO", um sie auszublenden.	Siehe Abschnitt "Anzeige - Verfügbare Datentypen".
Alarmer (Alarms)	Welche Alarmer von NMEA sollen auf dem Bildschirm angezeigt werden können und den externen Buzzer auslösen?	Siehe Abschnitt "Liste der lokalen Alarmer".
Simulator-Modus (Simulator Mode)	Das Display zeigt einige sich zufällig verändernde Daten an, um die Funktion des Messgeräts zu demonstrieren, wenn dieser Modus aktiviert ist	Ja (aktiviert) Nein (deaktiviert)
Menu verlassen (Exit Settings Menu)	Verlassen Sie die Einstellungen	Ja Nein

VERWENDEN DES EINSTELLUNGS-MENÜS

Um...	Soll...
Das Einstellungs-Menü zu öffnen	das Gerät eingeschaltet werden, während der Knopf durchgehend gedrückt gehalten wird, bis "SETTINGS" auf dem Bildschirm erscheint. Danach sieht man das erste Feld "Config. Units".
durch die verschiedenen Optionen/ Antwortmöglichkeiten zu blättern	der Druckknopf kurz angetippt werden
den Wert oder Befehl zu bestätigen und zum nächsten Schritt im Menü zu gelangen	die Taste gedrückt gehalten werden, bis der Wert oder Befehl einmal aufblinkt.
sich durch das Menü zu bewegen	jede Frage mit "NO" beantwortet werden, bis das gesuchte Untermenü auftaucht. <i>Hinweis: Die Einstellungen können nur vorwärts gescrollt werden. Um zurückzugehen, müssen Sie sich durch das gesamte Menü klicken oder das Menü verlassen und dann erneut öffnen.</i>
das Menü zu verlassen	das Untermenü "Exit Settings Menu" geöffnet und mit "YES" bestätigt werden.

Beispiel:

Nachfolgend die Vorgehensweise, um die **Motor-Instanz = 3** zu setzen

- Schalten Sie das Gerät ein und halten Sie die Taste gedrückt, bis "Settings" erscheint: Die Einstellung "Config. units" erscheint zuerst.
- Drücken Sie die Taste und halten Sie sie gedrückt, bis "NO" einmal blinkt, um zum nächsten Untermenü zu blättern: die Einstellung "Config Engine Instance" erscheint.
- Drücken Sie kurz die Taste, um YES anzeigen zu lassen, und halten Sie die Taste dann gedrückt, bis YES einmal blinkt: Die aktuelle Einstellung der Motorinstanz erscheint.
- Drücken Sie kurz die Taste an, um die möglichen Werte zu durchlaufen. Machen Sie das, bis **3** angezeigt wird.
- Halten Sie die Taste gedrückt, bis die 3 einmal blinkt: Die Einstellung "Config analog inputs" erscheint.
- Verlassen Sie das Menü, indem Sie zum letzten Untermenü mit der Bezeichnung "Exit Settings Menu" (Menü verlassen) blättern. Bestätigen Sie dies mit "YES" und Sie gelangen zurück zu den normalen Datensätzen.

KONFIGURIEREN EINES SENSOREINGANGS

Öffnen Sie die "Analogeingangskonfigurationen" im Einstellungsmenü und wählen Sie den Eingang aus, den Sie konfigurieren möchten. (Siehe Abschnitt "Verwenden des Einstellungs-Menüs") Wählen Sie den Sensortypen, der an den entsprechenden Pin angeschlossen ist, und definieren Sie die Sensorkurve.

Je nach Sensortyp können Sie entweder aus einigen Standardsensorkurven auswählen oder eine benutzerdefinierte 3-Punkt-Erfassung starten.

Um die personalisierte Sensorkurve zu konfigurieren, folgen Sie den Anweisungen auf dem Display. Sie werden jeweils aufgefordert werden, Ihren Tank bis zu einem bestimmten Niveau zu füllen / den Motor oder das Ruder in eine bestimmte Position zu bringen und dann zu bestätigen, dass der aktuell gemessene Widerstandswert gespeichert werden soll. Es werden dann mehrere solcher Punkte abgefragt.

Für den Frequenzeingang müssen Sie lediglich die Anzahl an Pulsen, die Ihr Sensor pro Motorumdrehung ausgibt, definieren. Beachten Sie das Übersetzungsverhältnis zwischen Motor und Lichtmaschine, wenn Sie diese als Signalgeber verwenden.

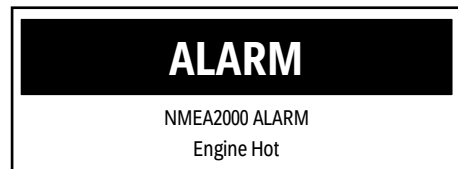
ALARME

ALARMSIGNAL

Wenn ein Alarm ausgelöst wird, erscheint kurz "Neuer Alarm" auf dem Display, gefolgt von der spezifischen Alarmmeldung und der Buzzer ertönt (falls angeschlossen). Die Meldung bleibt auf dem Bildschirm und der Buzzer tönt, bis der Alarm quittiert wird.

Hinweis: Während der Einrichtung des Geräts werden keine Alarme angezeigt.

Wenn nach der Quittierung noch mindestens ein Alarm aktiv ist, blinkt "AL" in den Datenseiten.



Weitere Informationen zum Anschluss eines externen Buzzers finden Sie im Abschnitt "Anschluss eines externen Buzzers (B1)" im Kapitel "Elektrische Installation" in diesem Dokument.

VERWALTEN VON ALARMEN

1. Um einen Alarm zu quittieren, Sie kurz auf den Knopf drücken: Wenn andere Alarme ausgelöst wurden (neue oder bereits quittierte), erscheint die nächste Alarmmeldung.
2. Um durch die Alarme zu blättern, jeweils kurz den Knopf drücken: Nach dem letzten Alarm in der Liste erscheint "Exit Alarms".
3. Um die Alarmliste erneut durchzublätern, "NO" wählen. Um die Alarmliste zu verlassen, mit "YES" bestätigen: Es erscheint die Datenseite, die vor dem Auslösen des neuen Alarms angezeigt wurde.
4. Um die Alarmliste wieder anzuzeigen, durch alle Datenseiten blättern, bis "Alarm" erscheint, und dann den Druckknopf 3 Sekunden gedrückt halten.

LOKALE ALARME KONFIGURIEREN

1. Öffnen Sie das "Einstellungsmenü" und gehen Sie in das Untermenü "Alarme konfigurieren". (Siehe Kapitel "Einstellungsmenü")
2. Klicken Sie sich durch die verfügbaren Alarme, bis Sie denjenigen finden, den Sie aktivieren möchten.
3. Drücken Sie kurz auf die Taste, um YES oder NO zu ändern. Wählen Sie YES, um den Alarm zu aktivieren und NO, um ihn zu deaktivieren. Halten Sie die Taste zur Bestätigung gedrückt.
4. Legen Sie den Schwellenwert fest, bei dem der Alarm ausgelöst werden soll.
5. Legen Sie fest, ob der Summer ausgelöst werden soll, wenn dieser Alarm auftritt oder ob nur die Warnung auf dem Display angezeigt werden soll. Halten Sie die Taste erneut gedrückt, um zu bestätigen.
6. Klicken Sie auf alle Alarme, um das Menü Alarme zu verlassen, und blättern Sie dann durch die übrigen Untermenüs, um das Einstellungs-Menü zu verlassen.

MINDEST-DREHZAHL

Der Standardwert für die Mindestdrehzahl ist 300 Umdrehungen pro Minute. Dieser Wert kann in den Alarmeinstellungen geändert werden.

Liegt der Motor unterhalb dieses Bereichs, werden bestimmte Alarmer nicht ausgelöst. Dies verhindert das irreführende Auftreten von Alarmen während der Aufstart-Phase des Motors. Ausserdem werden die Motorstunden nur gezählt, wenn die Motordrehzahl diesen Wert überschreitet.

LISTE DER LOKALEN ALARME

Alarm	Mögliche Werte	Ausgelöst über oder unter dem Schwellenwert	NMEA2000-Ausgang
Untiefes Wasser (<i>Depth shallow</i>)	0 - 9.9 m	unter	Nein
Tiefe Versorgungsspannung (<i>Low voltage</i>)	0-31.9 V	unter	Ja
Niedriger Batterieladestand (<i>Low SOC</i>)	0 - 99 %	unter	Nein
Batterietemperatur hoch (<i>Battery Temperature High</i>)	0 - 99 °C	über	Nein
Abgastemperatur hoch (<i>Exhaust gas temp</i>)	0 - 999 °C	über	Nein
Kühlflüssigkeitstemperatur (<i>Engine coolant temperature</i>)	0 - 139 °C	über	Ja
Motoröltemperatur (<i>Engine Oil Temperature</i>)	0 - 149 °C	über	Ja
Motoröldruck (<i>Engine Oil Pressure</i>)	0 - 9,9 bar	unter	Ja
Kraftstofffüllstand (<i>Fuel Level</i>)	0 - 99 %	unter	Nein
Frischwasserfüllstand (<i>Fresh Water Level</i>)	0 - 99 %	unter	Nein
Abwasserstand (<i>Waste Water Level</i>)	0 - 99 %	über	Nein
Mindestdrehzahl (<i>min. RPM</i>)	0 - 999 RPM	-	-

LISTE DER VERWALTETEN CAN-BUS-ALARME

NMEA2000 - Engine Parameters, Dynamic (PGN 127489)

- Check engine
- Hot engine
- Low oil pressure
- Low oil level
- Low fuel pressure
- Low voltage
- Low cool level
- Water flow
- Water in fuel
- Charge indicator
- Preheat indicator
- Boost pressure
- Over rev
- EGR system
- Main throttle
- Emergency stop
- General warn 1
- General warn 2
- Power reduction
- Maintenance
- Engine com error
- Sub throttle
- Neutral protection.
- Engine shut down

NMEA2000 - Transmission Parameters, Dynamic (PGN 127493)

- Check gear
- Gear oil temperature
- Gear oil pressure
- Gear oil level
- Sail drive

SAE J1939 - Active Diagnostic Trouble Codes (DM1)

- Water in fuel indication
- Engine speed
- Engine turbocharger boost pressure
- Exhaust gas temperature
- Engine oil pressure
- Engine coolant pressure
- Engine coolant temperature
- Engine oil temperature
- Transmission oil temperature
- Transmission oil pressure
- Fuel Level

FEHLERSUCHE

DISPLAY-PROBLEME

Problem	Ursache	Lösung
Die angezeigten Werte sind nicht die erwarteten	Falsche Sensorkonfiguration	Überprüfen Sie die Parametereinstellungen im Einstellungs-Menü, in "Config Analog Inputs"
	Falsch angeschlossener Sensor	Überprüfen Sie den Anschluss, siehe Installationsanleitung
	Der NMEA 2000 Netzwerk-Backbone wurde falsch erstellt	Überprüfen Sie die Verbindungen und stellen Sie sicher, dass am Anfang und am Ende des Backbones ein Abschlusswiderstand vorhanden ist.
Auf dem Display erscheint "---" und nicht der erwartete Wert	Daten nicht im Netz verfügbar	Warten
	Sensor nicht angeschlossen	Schliessen Sie den Sensor an, siehe Installationsanleitung
	Der NMEA 2000 Netzwerk-Backbone wurde falsch erstellt	Überprüfen Sie die Verbindungen und stellen Sie sicher, dass am Anfang und am Ende des Backbones ein Abschlusswiderstand vorhanden ist.

PROBLEME MIT ANGESCHLOSSENEN 52-MM-MESSGERÄTEN

Problem	Ursache	Lösung
Die Hintergrundbeleuchtung der Messgeräte funktioniert, aber der Zeiger bewegt sich nicht	Daten nicht vom Master empfangen	Prüfen Sie, ob das 52mm-Gerät mit dem Master kompatibel ist.
Der Zeiger bewegt sich nicht und die Anzeige ist nicht beleuchtet	Master nicht eingeschaltet	Prüfen Sie die Hauptverbindungen/Anschliessen der Stromversorgung
	Der 52mm-Satellit ist nicht mit dem Mastergerät verbunden	Schliessen Sie die 52mm-Geräte an den Master an.

TECHNISCHE DATEN

Nennspannung	12 V / 24 V
Betriebsspannung	9 - 32 V mit Überspannungs- und Verpolungsschutz
Stromverbrauch	< 100 mA (@12V)
Absorption (LEN)	2
Schutzklasse	IP 65
Objektiv	PMMA-Doppellinse
Gehäuse	Ø85 mm - Polycarbonat (PC)
Einbautiefe	75 mm
Blenden	PC (schwarz, weiss) oder ABS (chrom)
Ziffernblatt	Hintergrundbeleuchtet, verschiedene Farben (schwarz, weiss)
Zeiger	Hintergrundbeleuchtung, weiss auf schwarzen Zifferblättern; rot auf weissen Zifferblättern 90° und 270° Beugewinkel
Beleuchtung	Ziffernblatt: LED bernsteinfarben (605 nm) Zeiger: LED rot (632 nm)
Betriebstemperatur	-20°C bis +70°C
Lagertemperatur	-35°C bis +85°C mit Chromblende -30°C bis +70°C
Brandschutz	flammhemmend nach UL94-V0
Steckverbinder	Molex MX-150 12Pin (mit im Pigtail-Kabel integriertem EasyLink-Anschluss) NMEA2000 Mikro-C M12
Montage	Spinlock Mutter - Paneldicke 0,5 - 20 mm Optionale Bolzen und Halterungen - Paneldicke 2 - 15 mm
Konformität	CE, UKCA, Reach, RoHS

ZUBEHÖR

Beschreibung	Teilenummer
Power- und Datenkabel – OL 85mm	A2C1433330001
EasyLink Kabelverlängerung	A2C59500139
Spinlock-Mutter 85mm	A2C1376090001
Blende 85mm - Chrom	A2C1141580001
Blende 85mm - Schwarz	A2C1111380001
Blende 85mm - Weiss	A2C1352140001

Unter <http://www.veratron.com> finden Sie eine vollständige Liste des Zubehörs.

VARIANTEN

Beschreibung der Variante	Teilenummer
OL GPS-Tacho 85mm - 14 kn, km/h, mph Schwarz	A2C1351970001
OL GPS-Tacho 85mm - 14 kn, km/h, mph Weiss	A2C1352010001
OL GPS-Tacho 85mm - 35 kn, km/h, mph Schwarz	A2C1351980001
OL GPS-Tacho 85mm - 35 kn, km/h, mph Weiss	A2C1352080001
OL GPS-Tacho 85mm - 70 kn, km/h, mph Schwarz	A2C1351990001
OL GPS-Tacho 85mm - 70 kn, km/h, mph Weiss	A2C1352090001
OL Drehzahlmesser 85mm - 3'000 RPM Schwarz	A2C1065660001
OL Drehzahlmesser 85mm - 3'000 RPM Weiss	A2C1065670001
OL Drehzahlmesser 85mm - 5'000 RPM Schwarz	A2C1065720001
OL Drehzahlmesser 85mm - 5'000 RPM Weiss	A2C1065800001
OL Drehzahlmesser 85mm - 7'000 RPM Schwarz	A2C1065810001
OL Drehzahlmesser 85mm - 7'000 RPM Weiss	A2C1065820001



veratron AG
Industriestrasse 18
9464 Rüthi, Schweiz

T +41 71 7679 111
info@veratron.com
veratron.de

Jegliche Verbreitung, Übersetzung oder Vervielfältigung, ganz oder teilweise, des Dokuments ist strengstens untersagt, es sei denn, es liegt eine schriftliche Genehmigung der veratron AG vor, mit Ausnahme der folgenden Massnahmen:

Drucken des Dokuments in seinem ursprünglichen Format, ganz oder teilweise.

Kopieren von Inhalten ohne Änderungen und Angabe der veratron AG als Urheber.

Die Veratron AG behält sich das Recht vor, ohne Vorankündigung Änderungen oder Verbesserungen an der entsprechenden Dokumentation vorzunehmen.

Anfragen zur Autorisierung, zu zusätzlichen Kopien dieses Handbuchs oder zu technischen Informationen über dieses Handbuch sind an die veratron AG zu richten.