

AcquaLink NavControl

Description

The AcquaLink® NavControl unit enables skippers to assume control of AcquaLink® TFTs in situations where the touch screen can't be reached or is impractically placed. Screens can be switched and menus and input-variables navigated by using the push / turn knob and six other push buttons. A NavControl unit can assume control of any display connected to the same VDO Bus with just the push of a button. Even multiple units can be connected to the same Bus without conflicts.



A2C59501982

Gauge PN	Unit Type	Colour	Cut Out
A2C59501982	NavControl	Black	37mm x 97mm
A2C3997620001	NavControl	White	37mm x 97mm

Features

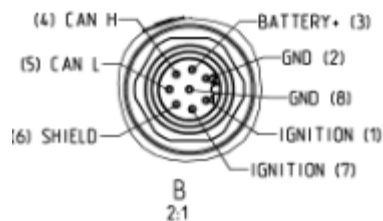
- LCD with tell light indication
- Rotary knob for easy control
- 6 push buttons for controlling TFTs
- VDO bus lines with M12 Connector
- Operating temperature range -20 °C / +70 °C
- Storage temperature range -30 °C / +80 °C

Technical Data	
Housing Material	AL Si12 (Fe)/e-coated (epoxi based) black RAL9005
Bezel Material	PC-FR
Operating voltage range	8 – 28 VDC
Current consumption	< 600mA
Operating temperature	-20°C / +70°C
Storage temperature	-40°C / +85°C
Nominal Position	NL 0 to NL 85; According to DIN 16257
Mounting/Fixing	Front Mount
Protection Class	IEC 60945 exposed equipment (IPx6 extended)
EMC	IEC 60945:2002 / ISO7637-2
Reverse Polarity Protection	Yes, 1 minute
Short Circuit Protection	Yes, 1 minute
Approval	CE

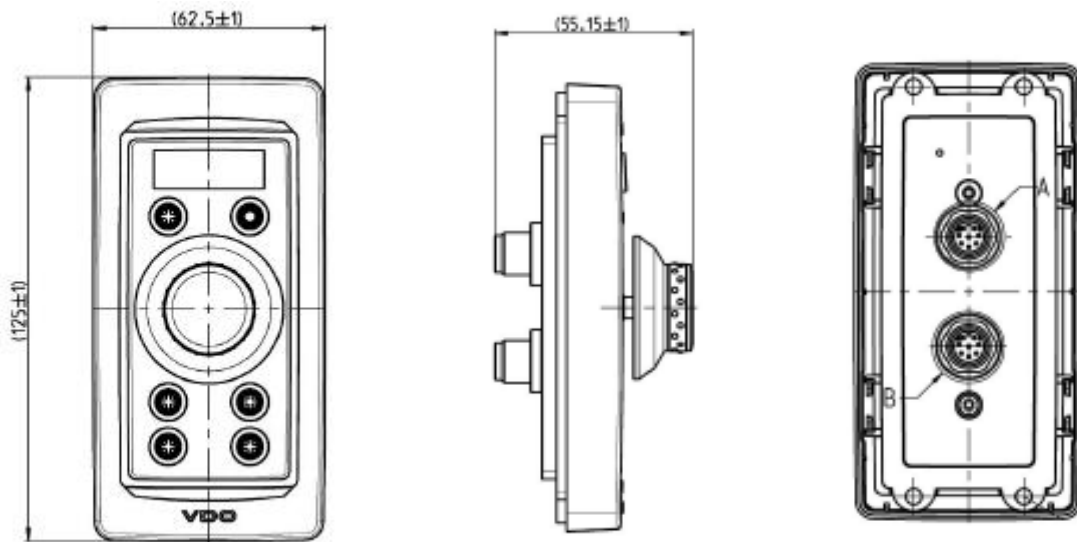
Connectors

2x VDO Bus:

8 pin connector	
Pins	Function
1	Ignition / Kl. 15
2	GND / Kl. 31
3	Battery+ / Kl. 30
4	CAN H
5	CAN L
6	GND / Kl. 31
7	Ignition / Kl. 15
8	GND / Kl. 31



Mechanical Design



Accessories

Part Number	Item specifics
A2C96244600	VDO Bus Cable 0,5m
A2C38805700	VDO Bus Cable 2m
A2C99793900	Termination Resistor VDO BUS
A2C38805500	Gender Changer VDO BUS
A2C59501946	VDO Bus Cable 5m
A2C59501947	VDO Bus Cable 10m
A2C59501974	Silicone cover for NavControl